

Chapter 4

Network Layer:

The Data Plane

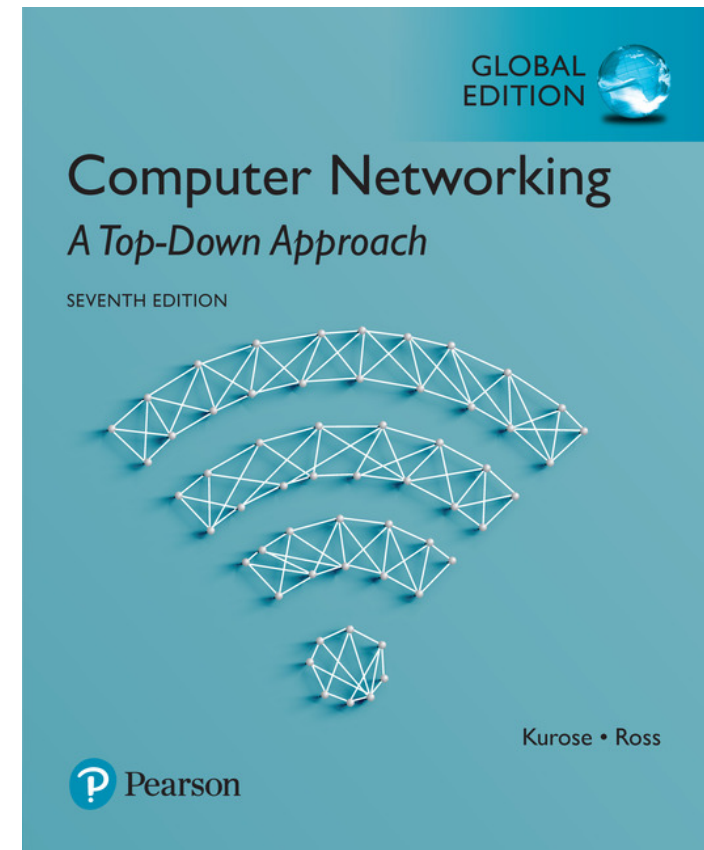
A note on the use of these Powerpoint slides:

We're making these slides freely available to all (faculty, students, readers). They're in PowerPoint form so you see the animations; and can add, modify, and delete slides (including this one) and slide content to suit your needs. They obviously represent a *lot* of work on our part. In return for use, we only ask the following:

- If you use these slides (e.g., in a class) that you mention their source (after all, we'd like people to use our book!)
- If you post any slides on a www site, that you note that they are adapted from (or perhaps identical to) our slides, and note our copyright of this material.

Thanks and enjoy! JFK/KWR

© All material copyright 1996-2016
© J.F Kurose and K.W. Ross, All Rights Reserved



Computer Networking: A Top Down Approach

7th Edition, Global Edition
Jim Kurose, Keith Ross
Pearson
April 2016

Chapter 4: network layer

chapter goals:

- understand principles behind network layer services, focusing on data plane:
 - network layer service models
 - forwarding versus routing
 - how a router works
 - **Focusing on forwarding**
- instantiation, implementation in the Internet

Chapter 4: outline

4.1 Overview of Network layer

- data plane
- control plane

4.2 What's inside a router

4.3 IP: Internet Protocol

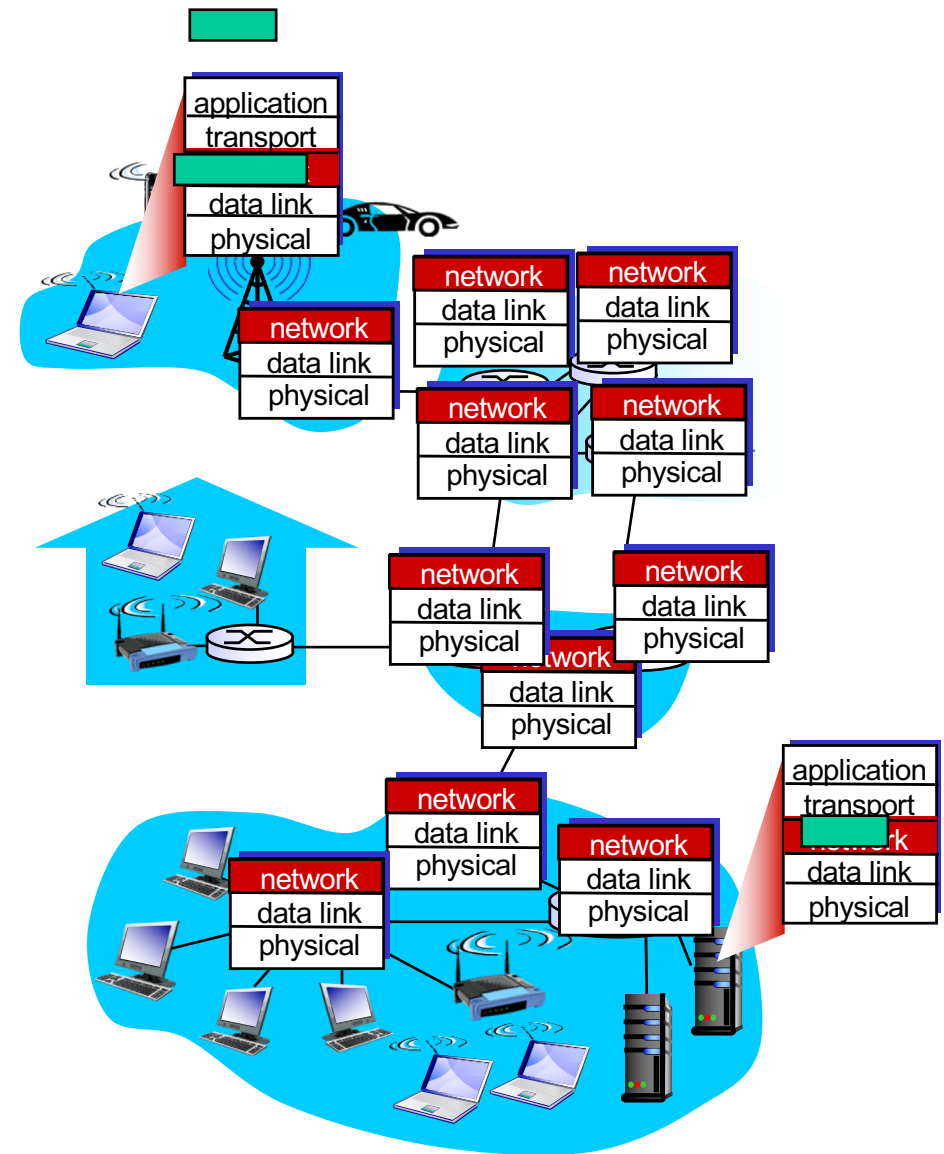
- datagram format
- fragmentation
- IPv4 addressing
- network address translation
- IPv6

4.4 Generalized Forward and SDN

- match
- action
- OpenFlow examples of match-plus-action in action

Network layer

- transport segment from sending to receiving host
- network layer protocols in *every* host, router
- on sending side encapsulates segments into datagrams
- router examines header fields in all IP datagrams passing through it
- on receiving side, delivers segments to transport layer



Two key network-layer functions

network-layer functions:

- *forwarding*: move packets from router's input to appropriate router output

- *routing*: determine route taken by packets from source to destination

- *routing algorithms*

analogy: taking a trip

- *forwarding*: process of getting through single interchange

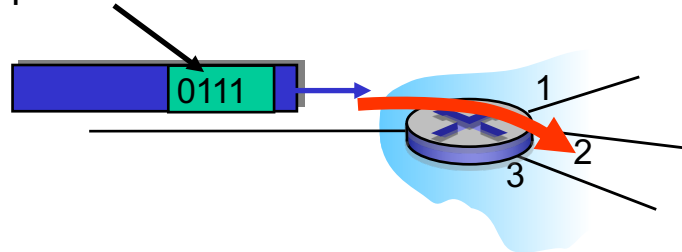
- *routing*: process of planning trip from source to destination

Network layer: data plane, control plane

Data plane

- local, **per-router** function
- determines how datagram arriving on router input port is forwarded to router **output port**
- forwarding function

values in arriving packet header

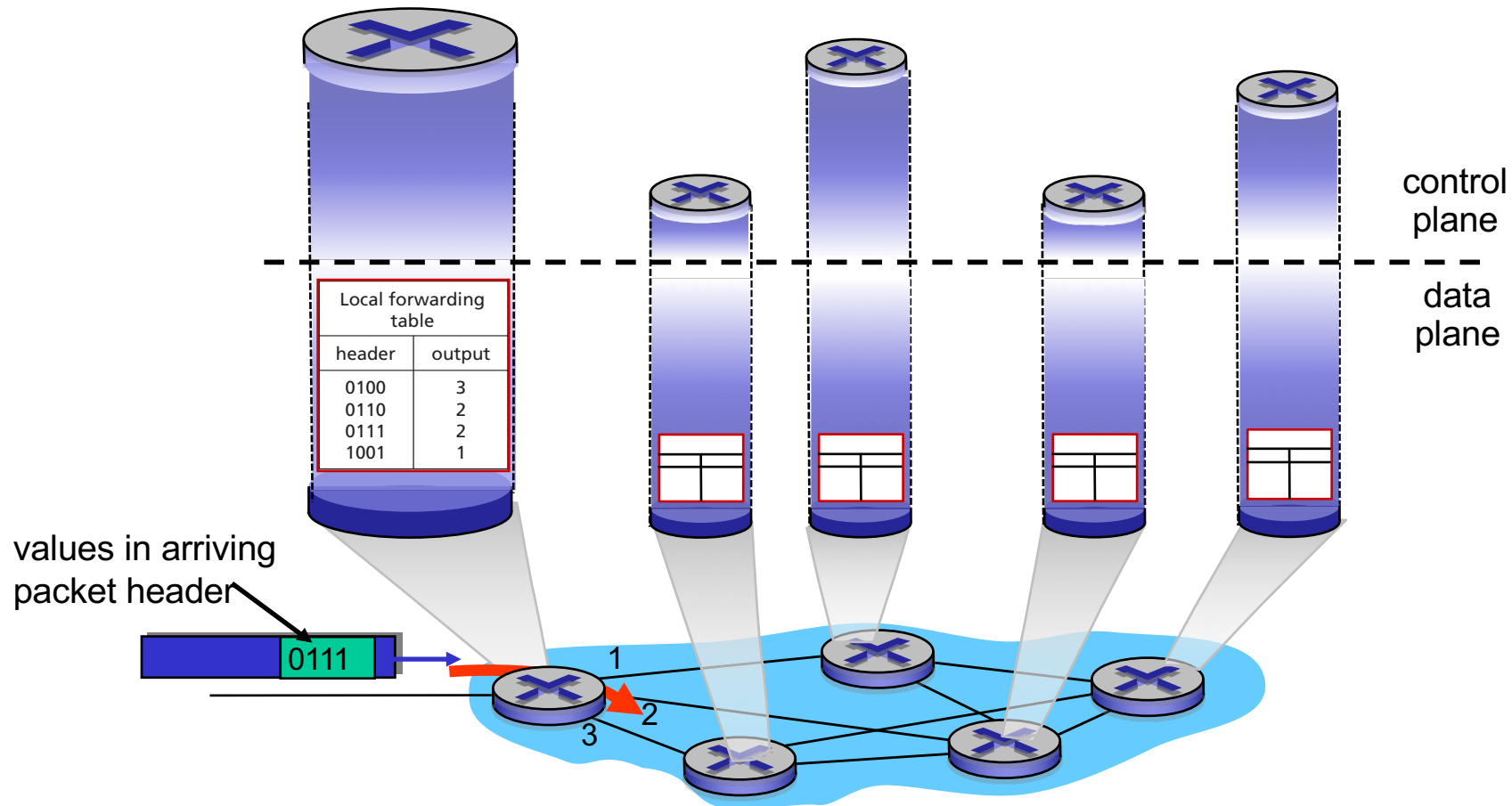


Control plane

- **network-wide** logic
- determines how datagram is routed among routers along end-end **path** from source host to destination host
- two control-plane approaches:
 - *traditional routing algorithms*: implemented in routers
 - *software-defined networking (SDN)*: implemented in (remote) servers

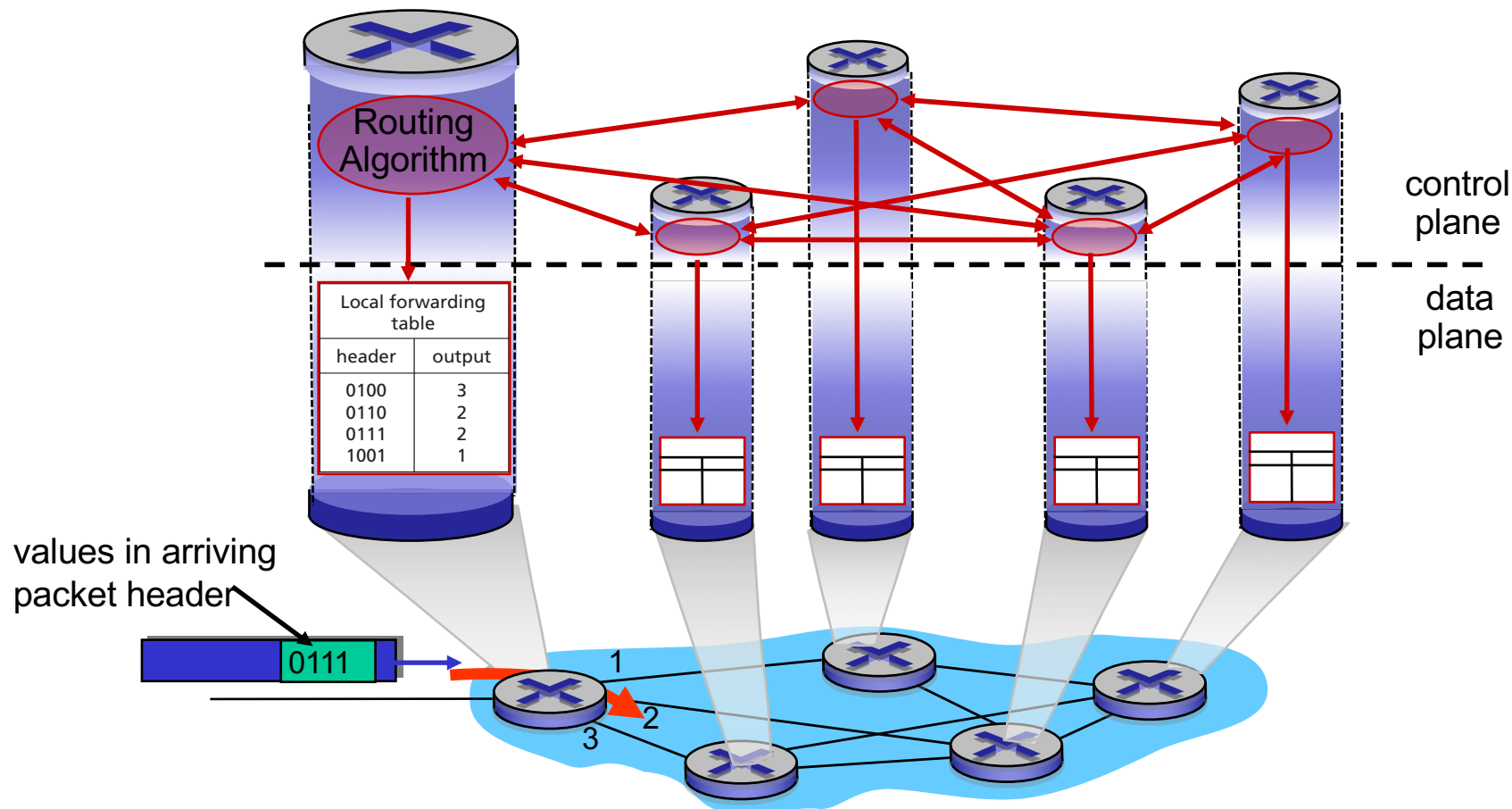
Per-router data plane

Forwarding table to allow fast output interface lookup



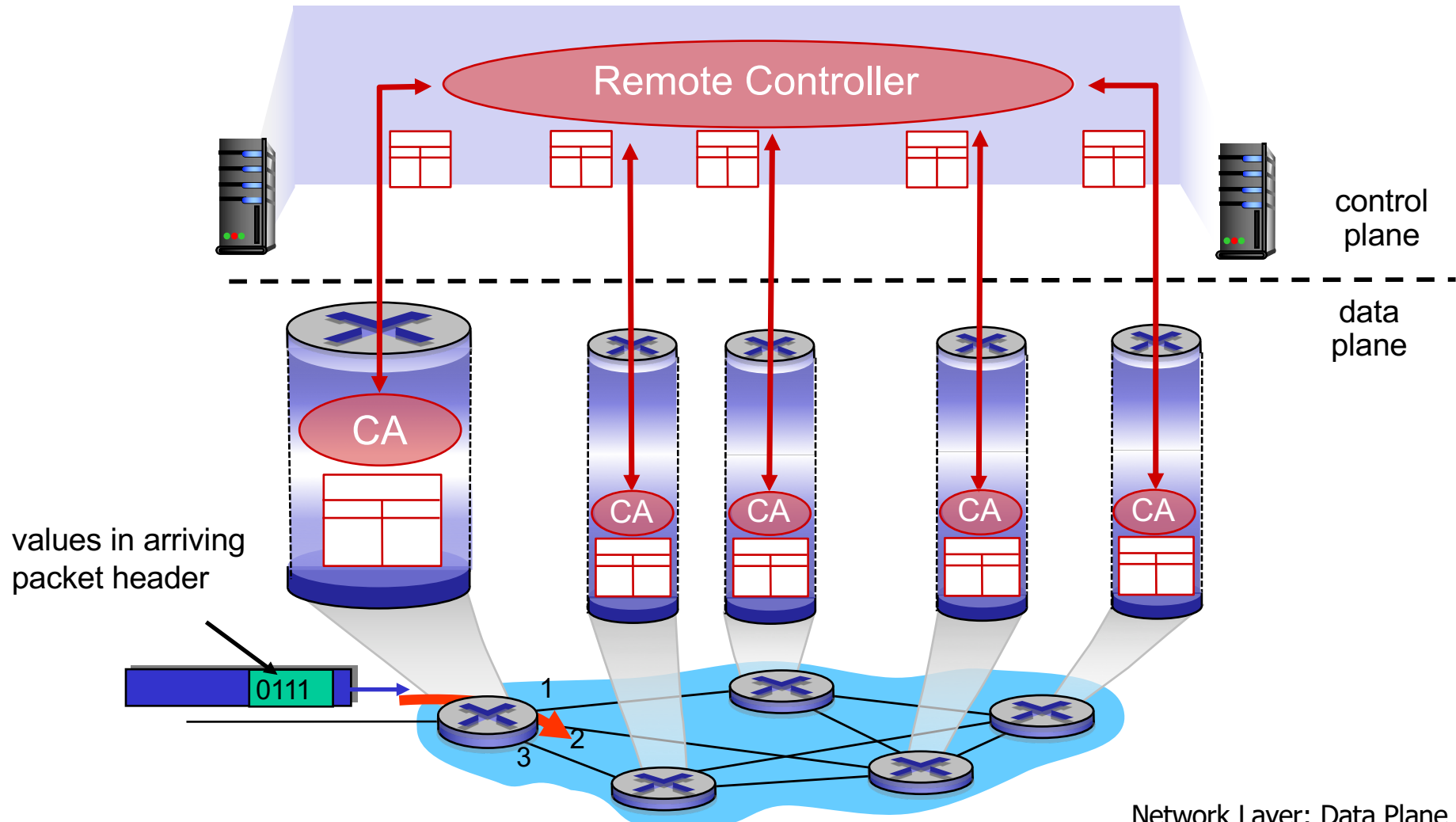
Network-wide logic in control plane

Traditional: Individual routing algorithm components *in each and every router* interact in the control plane

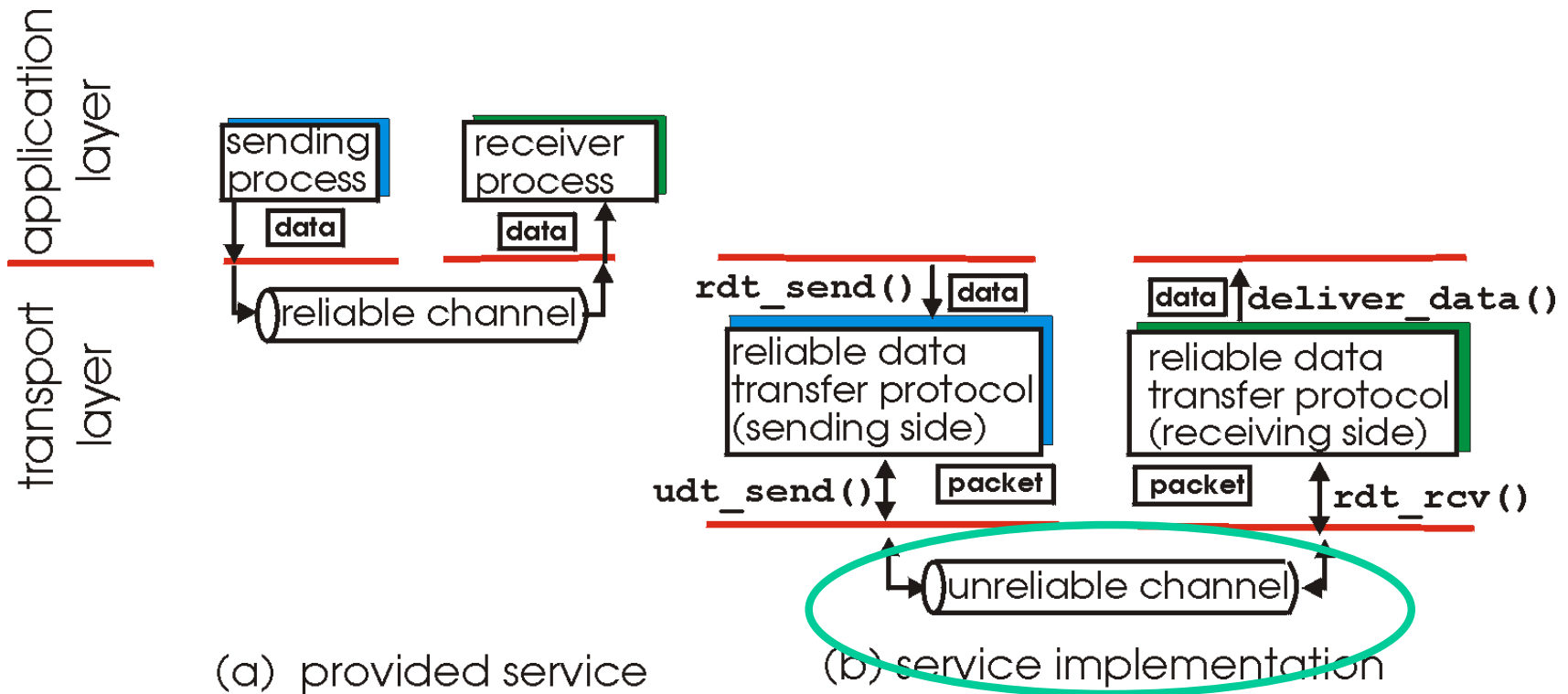


Logically centralized control plane

SDN: A distinct (typically remote) controller interacts with local control agents (CAs)



Remember This?



(a) provided service

(b) service implementation

Connectionless service

- best effort:
 - TCP/IP (aka. the Internet)
- two end hosts *and* intervening routers do not set up any 'connection specific' states before forwarding datagrams

Connection-oriented service

- 3rd important function in *some* network architectures:
 - ATM, frame relay, X.25
- before datagrams flow, two end hosts *and* intervening routers establish connection
 - routers get involved

- network vs transport layer connection service:
 - **network**: between two hosts (may also involve intervening routers)
 - **transport**: between two processes

Network service model

Q: What *service model* for “channel” transporting datagrams from sender to receiver?

example services for individual datagrams:

- guaranteed delivery
- guaranteed delivery with less than 40 msec delay

example services for a flow of datagrams:

- in-order datagram delivery
- guaranteed minimum bandwidth to flow
- restrictions on changes in inter-packet spacing

Network layer service models:

Network Architecture	Service Model	Guarantees ?			Congestion feedback	
		Bandwidth	Loss	Order Timing		
Internet	best effort	none	no	no	no (inferred via loss)	
ATM	CBR	constant rate	yes	yes	yes	no congestion
ATM	VBR	guaranteed rate	yes	yes	yes	no congestion
ATM	ABR	guaranteed minimum	no	yes	no	yes
ATM	UBR	none	no	yes	no	no

Chapter 4: outline

4.1 Overview of Network layer

- data plane
- control plane

4.2 What's inside a router

4.3 IP: Internet Protocol

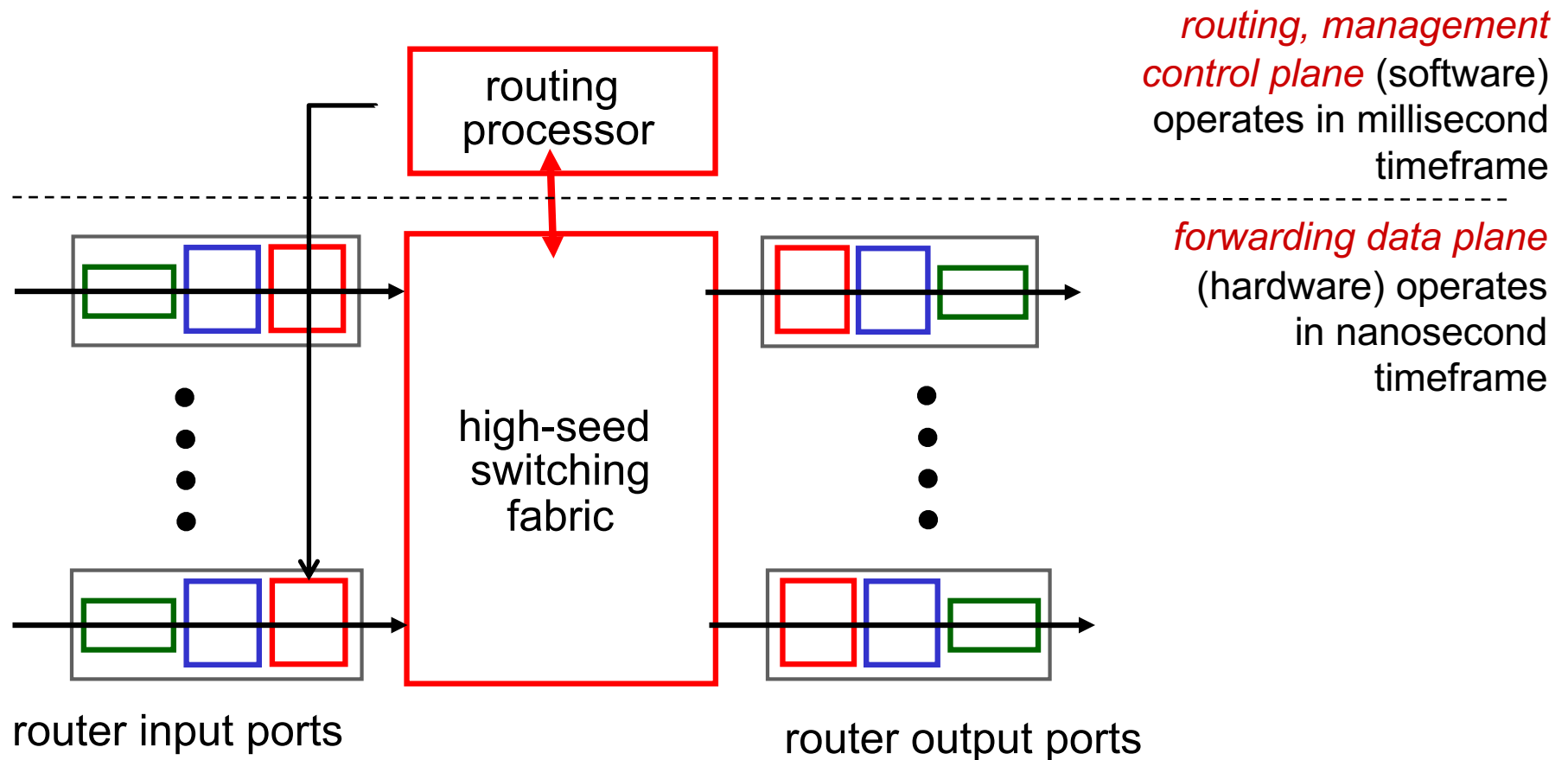
- datagram format
- fragmentation
- IPv4 addressing
- network address translation
- IPv6

4.4 Generalized Forward and SDN

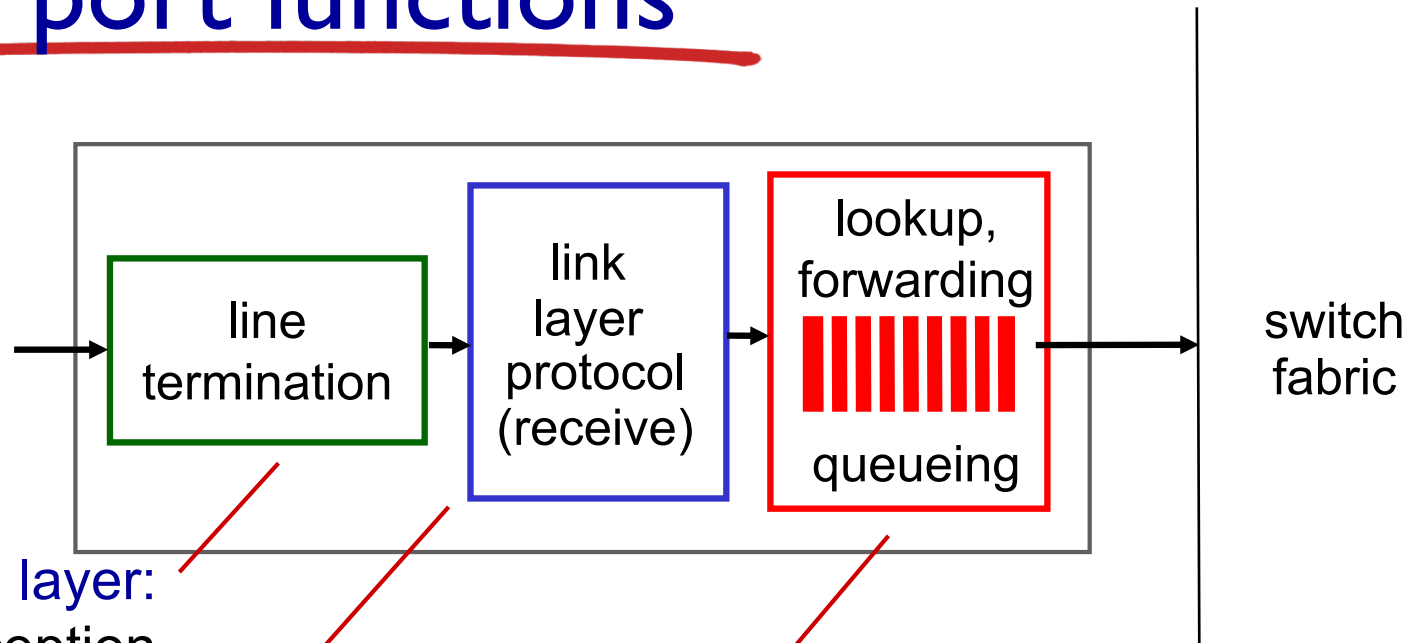
- match
- action
- OpenFlow examples of match-plus-action in action

Router architecture overview

- high-level view of generic router architecture:



Input port functions



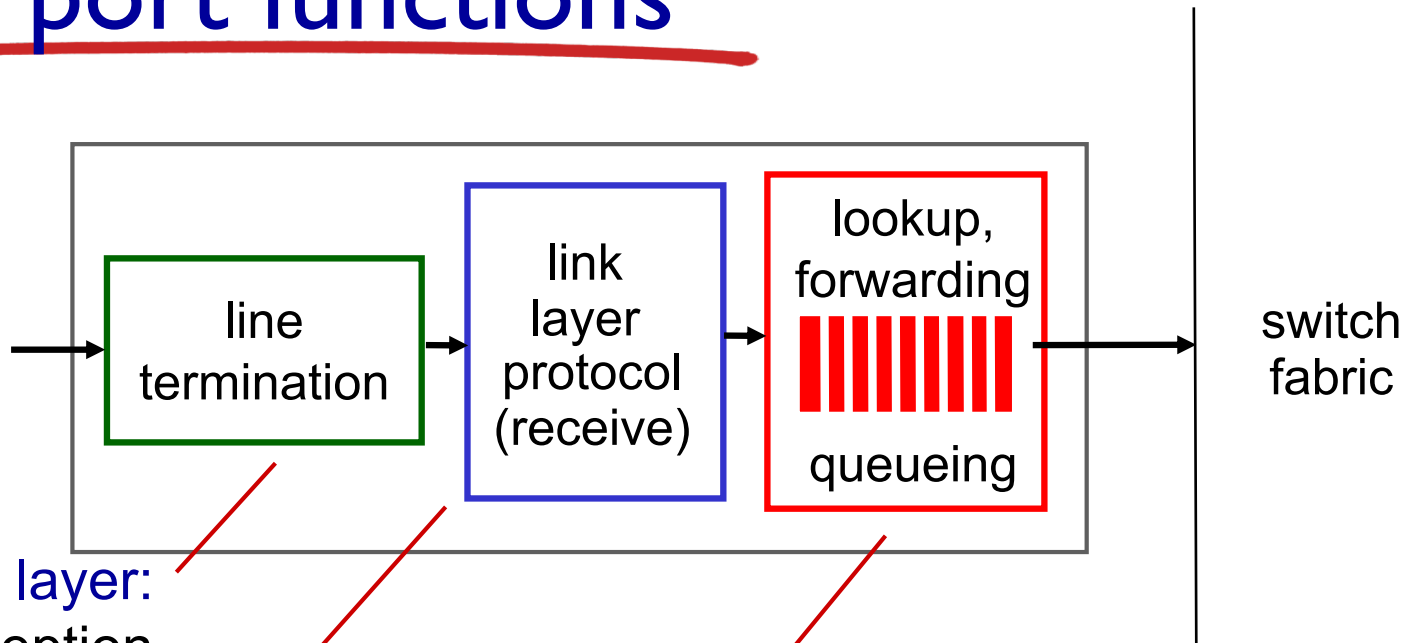
physical layer:
bit-level reception

data link layer:
e.g., Ethernet
see chapter 6

decentralized switching:

- using header field values, lookup output port using forwarding table in input port memory (“*match plus action*”)
- goal: complete input port processing at ‘line speed’
- queuing: if datagrams arrive faster than forwarding rate into switch fabric

Input port functions



physical layer:
bit-level reception

data link layer:
e.g., Ethernet
see chapter 5

decentralized switching:

- using header field values, lookup output port using forwarding table in input port memory (“*match plus action*”)
- **destination-based forwarding:** forward based only on destination IP address (traditional)
- **generalized forwarding:** forward based on any set of header field values

Destination-based forwarding

forwarding table

Destination Address Range	Link Interface
11001000 00010111 00010000 00000000 through 11001000 00010111 00010111 11111111	0
11001000 00010111 00011000 00000000 through 11001000 00010111 00011000 11111111	1
11001000 00010111 00011000 00000000 through 11001000 00010111 00011111 11111111	2
otherwise	3

Q: How many entries?

Longest prefix matching

longest prefix matching

when looking for forwarding table entry for given destination address, use *longest* address prefix that matches destination address.

Destination Address Range	Link interface
11001000 00010111 00010*** *****	0
11001000 00010111 00011000 *****	1
11001000 00010111 00011*** *****	2
otherwise	3

examples:

DA: 11001000 00010111 00010110 10100001

which interface?

DA: 11001000 00010111 00011000 10101010

which interface?

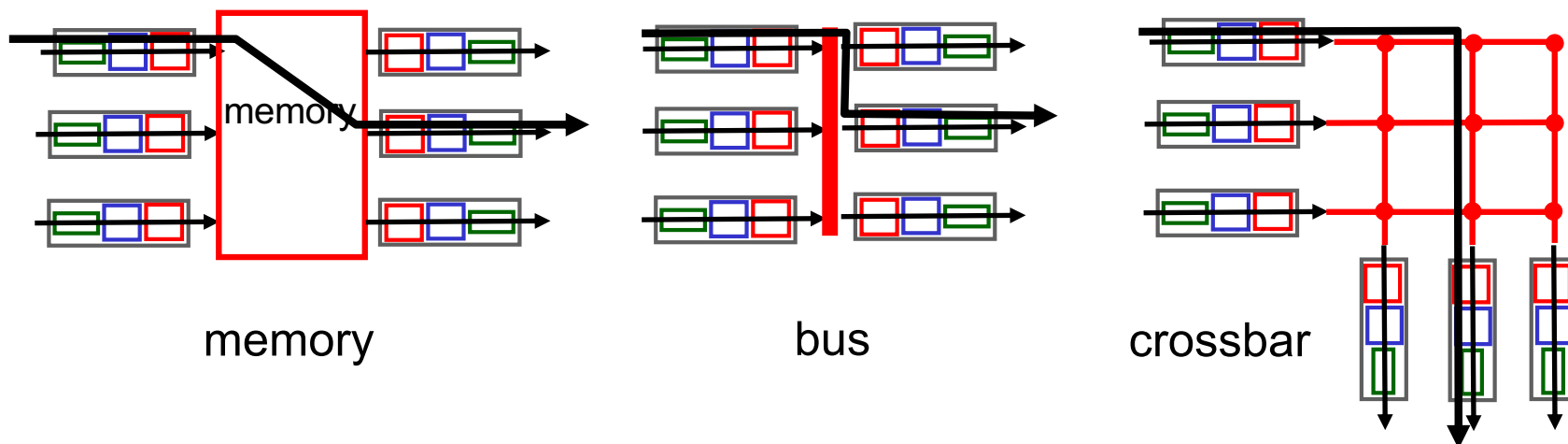
Double Quiz Time!

Longest prefix matching

- we'll see *why* longest prefix matching is used shortly, when we study addressing
- longest prefix matching: often performed using ternary content addressable memories (TCAMs)
 - *content addressable*: present dest address to TCAM: retrieve link interface in one clock cycle, regardless of table size
 - Cisco Catalyst: can store up ~1M routing table entries in TCAM

Switching fabrics

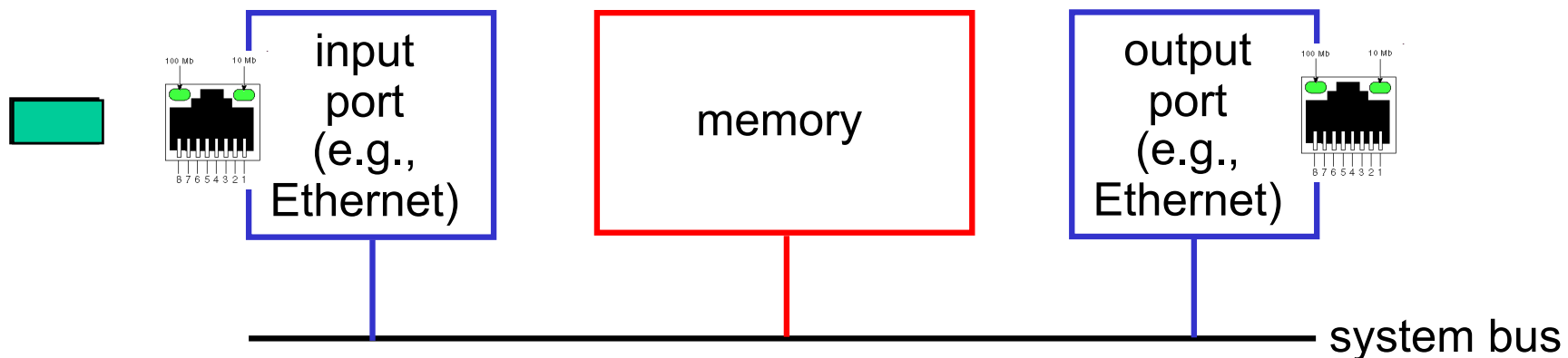
- transfer packet from input buffer to appropriate output buffer
- switching rate: rate at which packets can be transfer from inputs to outputs
 - often measured as multiple of input/output line rate
 - N inputs: switching rate N times line rate desirable
- three types of switching fabrics



Switching via memory

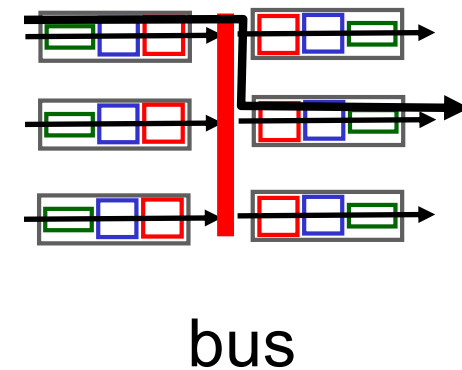
first generation routers:

- traditional computers with switching under direct control of CPU
- packet copied to system's memory
- speed limited by memory bandwidth (2 bus crossings per datagram)



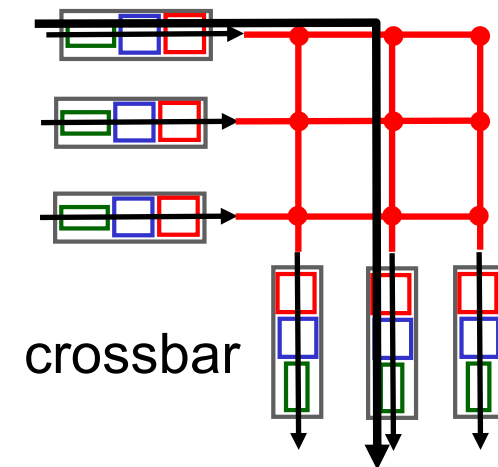
Switching via a bus

- datagram from input port memory to output port memory via a shared bus
- *bus contention*: switching speed limited by bus bandwidth
- 32 Gbps bus, Cisco 5600: sufficient speed for access and enterprise routers



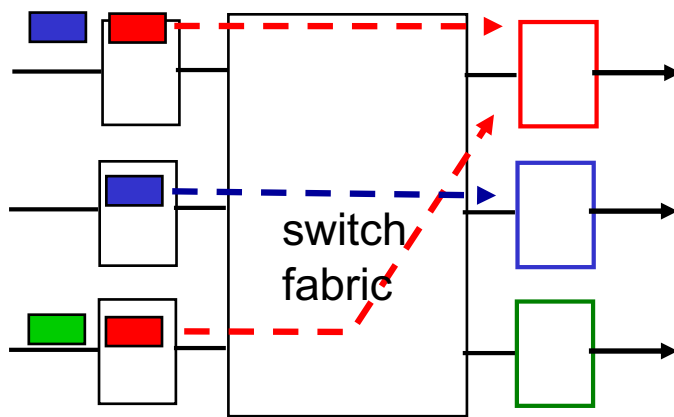
Switching via interconnection network

- overcome bus bandwidth limitations
- banyan networks, crossbar, other interconnection nets initially developed to connect processors in multiprocessor computer
- advanced design: fragmenting datagram into fixed length cells, switch cells through the fabric.
- Cisco I2000: switches 60 Gbps through the interconnection network

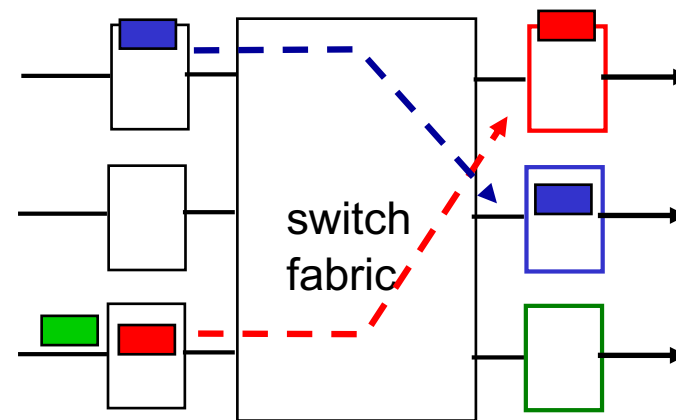


Input port queuing

- fabric slower than input ports combined -> queueing may occur at input queues
 - *queueing delay and loss due to input buffer overflow!*
- **Head-of-the-Line (HOL) blocking:** queued datagram at front of queue prevents others in queue from moving forward

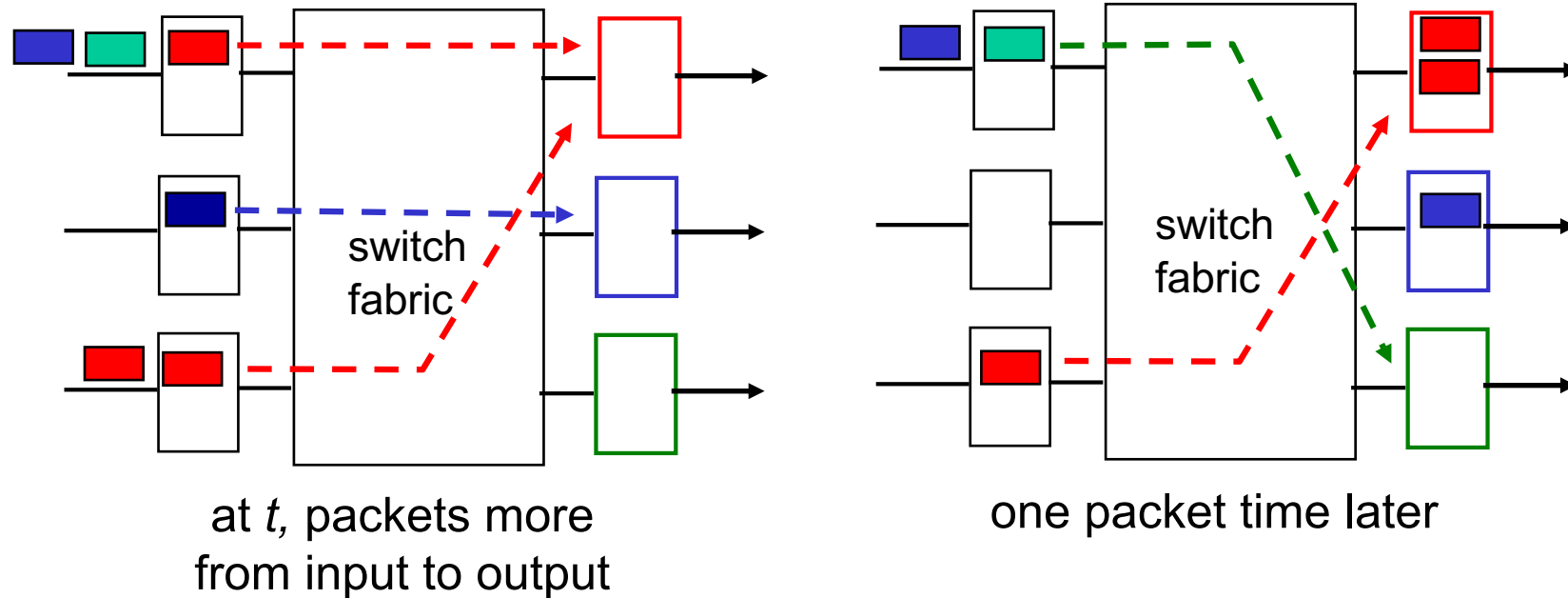


output port contention:
only one red datagram can be
transferred.
lower red packet is blocked



one packet time later:
green packet
experiences HOL
blocking

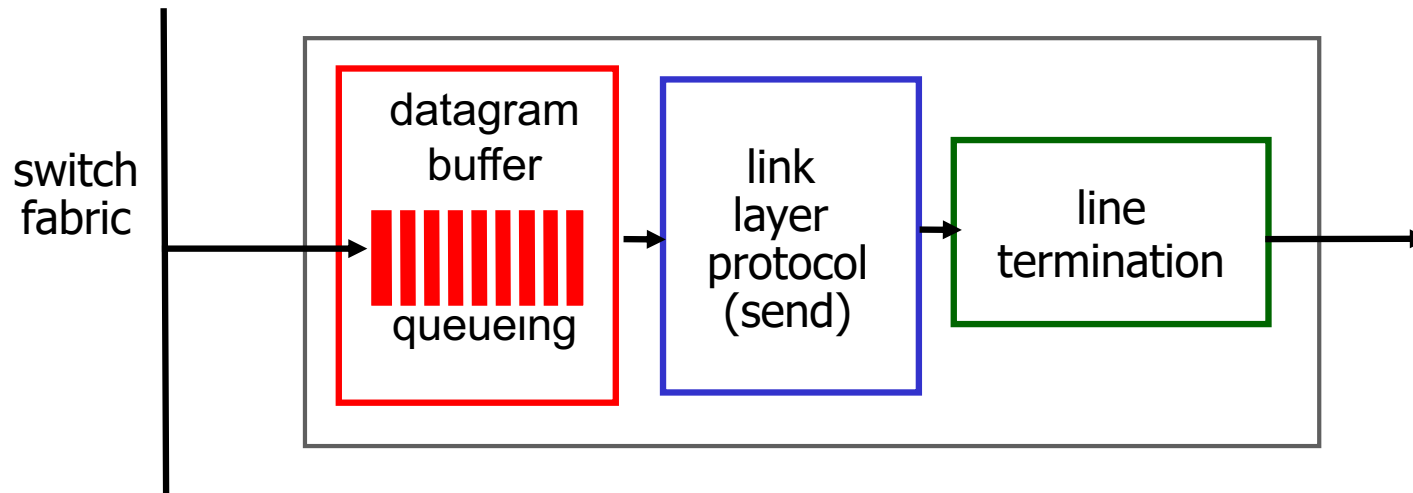
Output port queueing



- buffering when arrival rate via switch exceeds output line speed
- *queueing (delay) and loss due to output port buffer overflow!*

Output ports

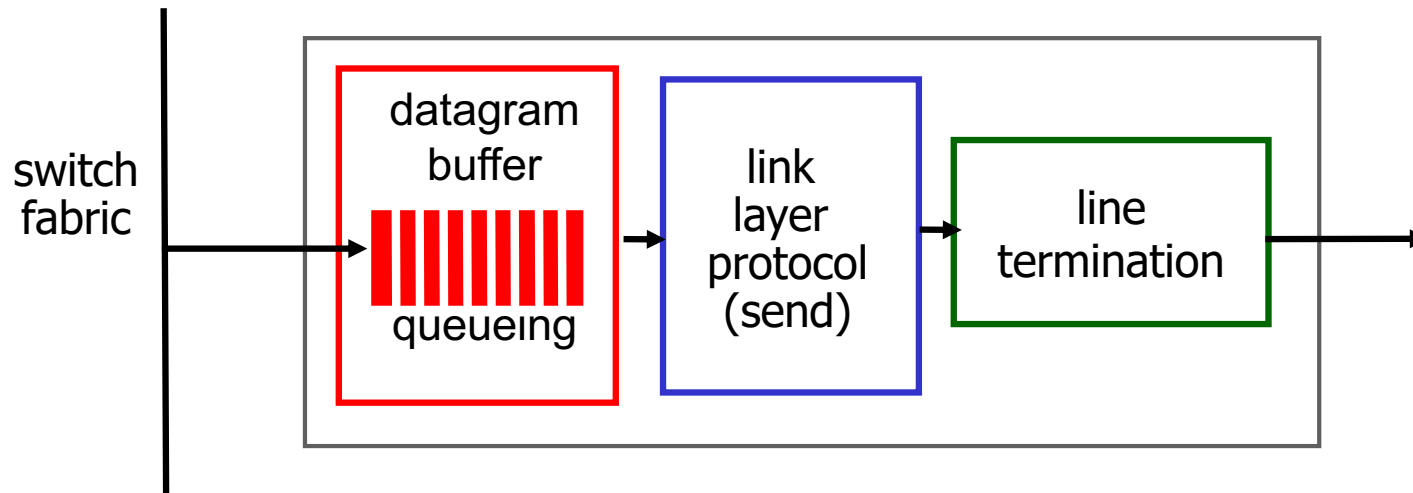
This slide is HUGELY important!



- **buffering** required when datagrams arrive from fabric faster than the transmission rate
- **scheduling discipline** chooses among queued datagrams for transmission

Output ports

This slide is HUGELY important!



- **buffering** required from fabric faster rate

Datagram (packets) can be dropped due to congestion, lack of buffers

- **scheduling** datagrams

Priority scheduling – who gets best performance, network neutrality

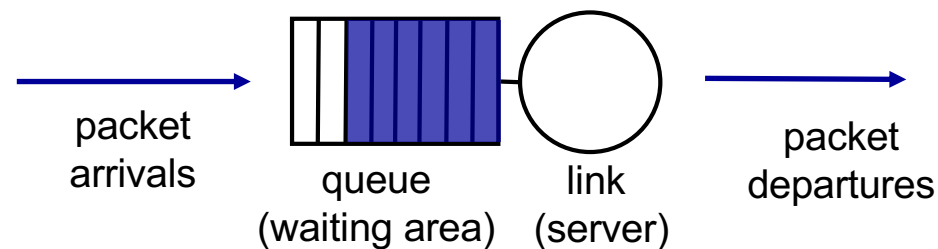
How much buffering?

- RFC 3439 rule of thumb: average buffering equal to “typical” RTT (say 250 msec) times link capacity C
 - e.g., $C = 10$ Gpbs link: 2.5 Gbit buffer
- recent recommendation: with N flows, buffering equal to

$$\frac{RTT \cdot C}{\sqrt{N}}$$

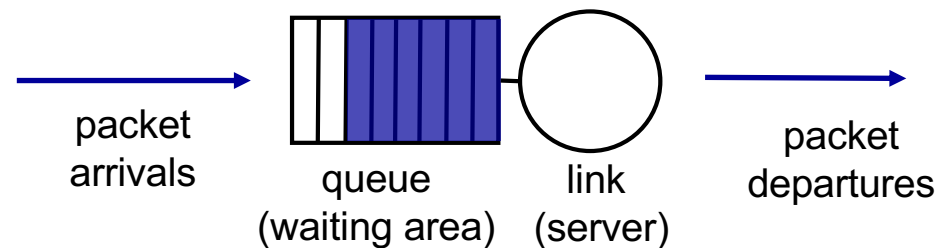
How to buffer?

- *Dropping*: choose next packet to discard
- *Discard policy*: if packet arrives to full queue: who to discard?
 - *tail drop*: drop arriving packet
 - *priority*: drop/remove on priority basis
 - *random*: drop/remove randomly



How to de-buffer?

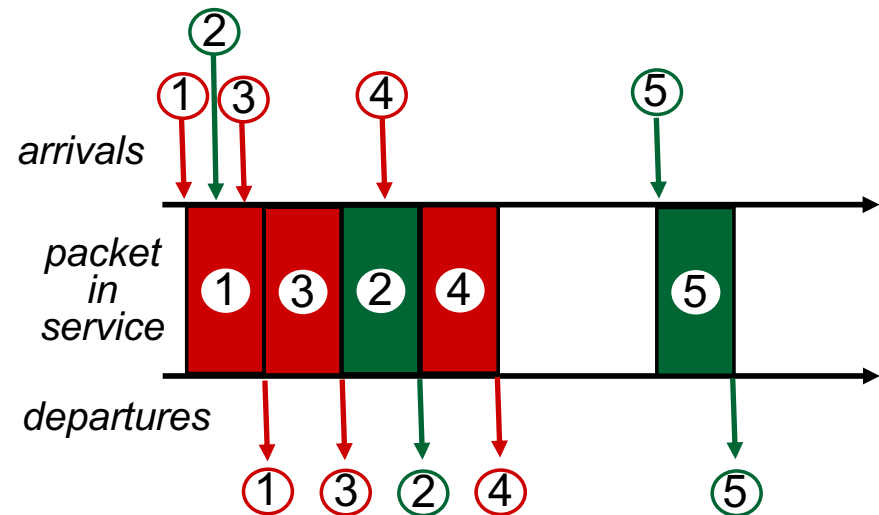
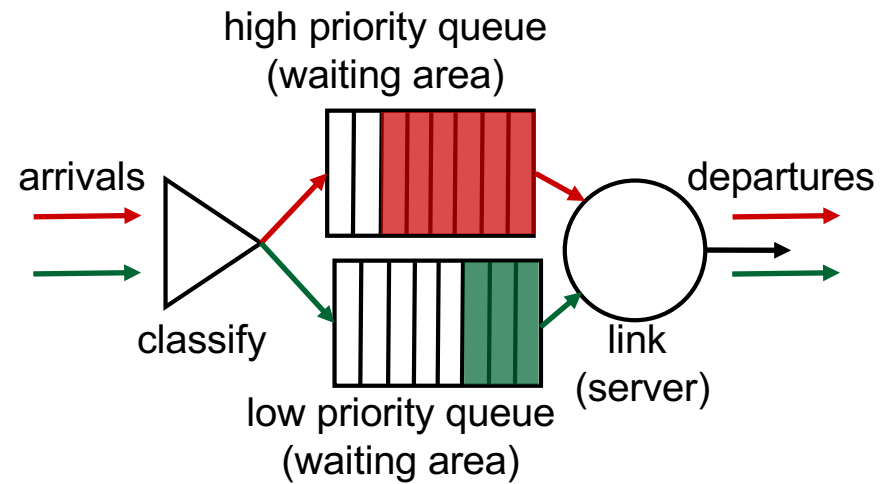
- **Scheduling:** choose next packet to send on link
- **Scheduling policy:**
 - **FIFO scheduling:** first in first out, send in order of arrival to queue
 - **Class-based scheduling:** divide packets into classes
 - Priority: certain class gets to go first
 - RR: rotating turns
 - WFQ: weighted rotating turns



Scheduling policies: priority

priority scheduling: send highest priority queued packet

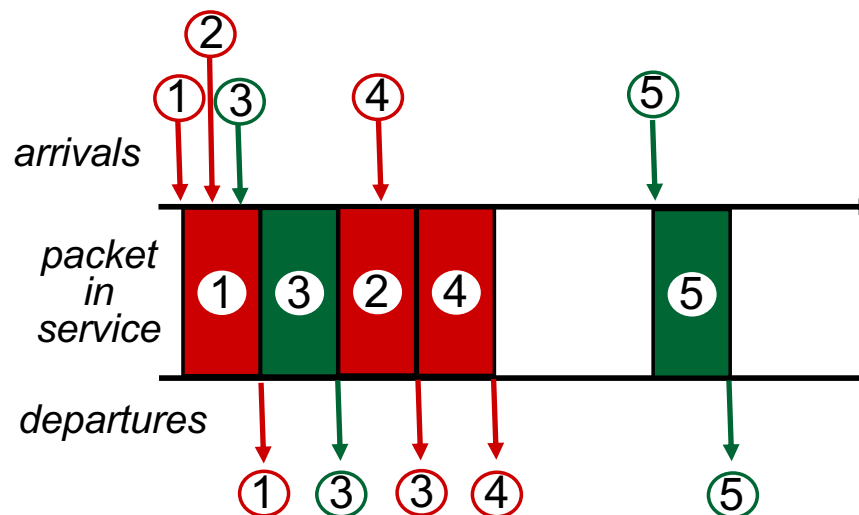
- multiple *classes*, with different priorities
 - class may depend on marking or other header info, e.g. IP source/dest, port numbers, etc.



Scheduling policies: still more

Round Robin (RR) scheduling:

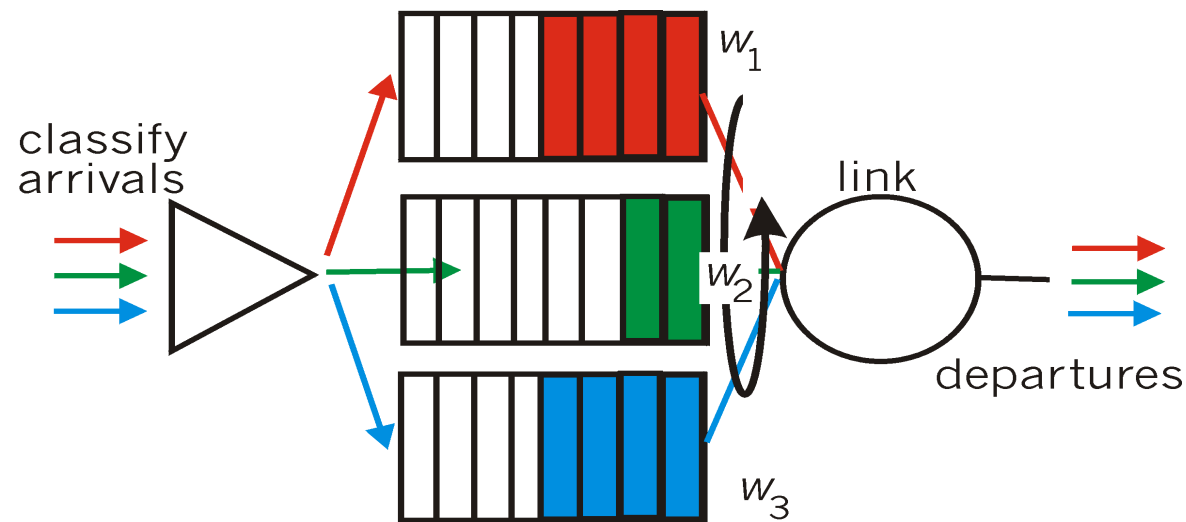
- multiple classes
- cyclically scan class queues, sending one complete packet from each class (if available)



Scheduling policies: still more

Weighted Fair Queuing (WFQ):

- generalized Round Robin
- each class gets weighted amount of service in each cycle



Chapter 4: outline

4.1 Overview of Network layer

- data plane
- control plane

4.2 What's inside a router

4.3 IP: Internet Protocol

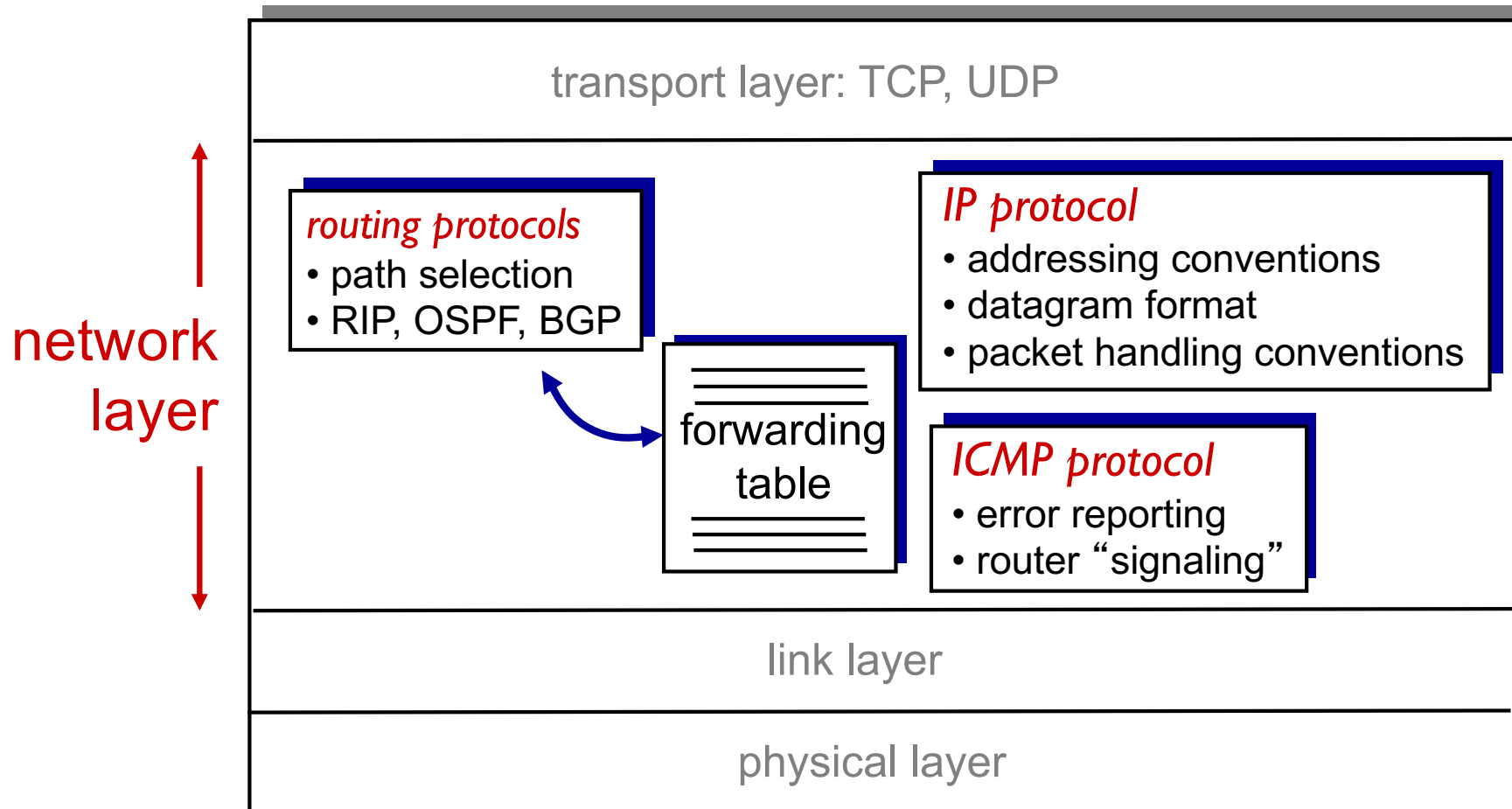
- datagram format
- fragmentation
- IPv4 addressing
- network address translation
- IPv6

4.4 Generalized Forward and SDN

- match
- action
- OpenFlow examples of match-plus-action in action

The Internet network layer

host, router network layer functions:



IP datagram format

IP protocol version number

header length (bytes)

“type” of data

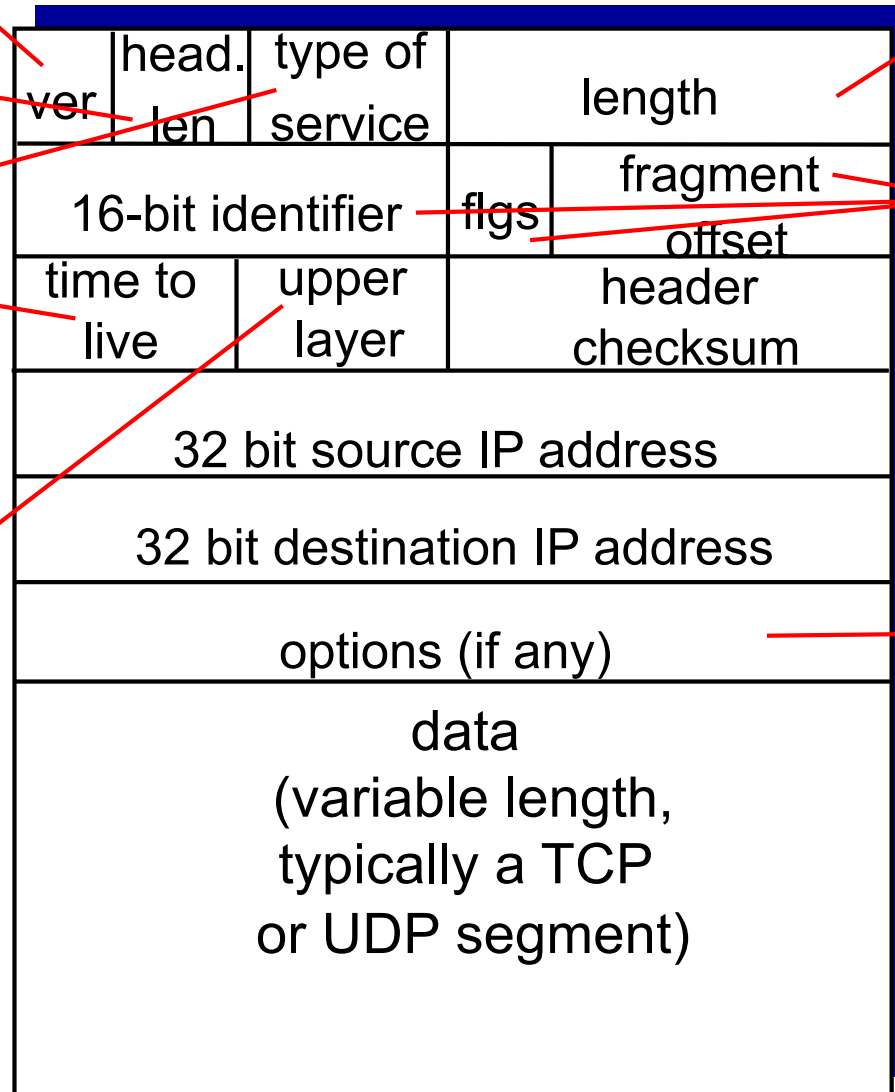
max number remaining hops (decremented at each router)

upper layer protocol to deliver payload to

how much overhead?

- ❖ 20 bytes of TCP
- ❖ 20 bytes of IP
- ❖ = 40 bytes + app layer overhead

← 32 bits →



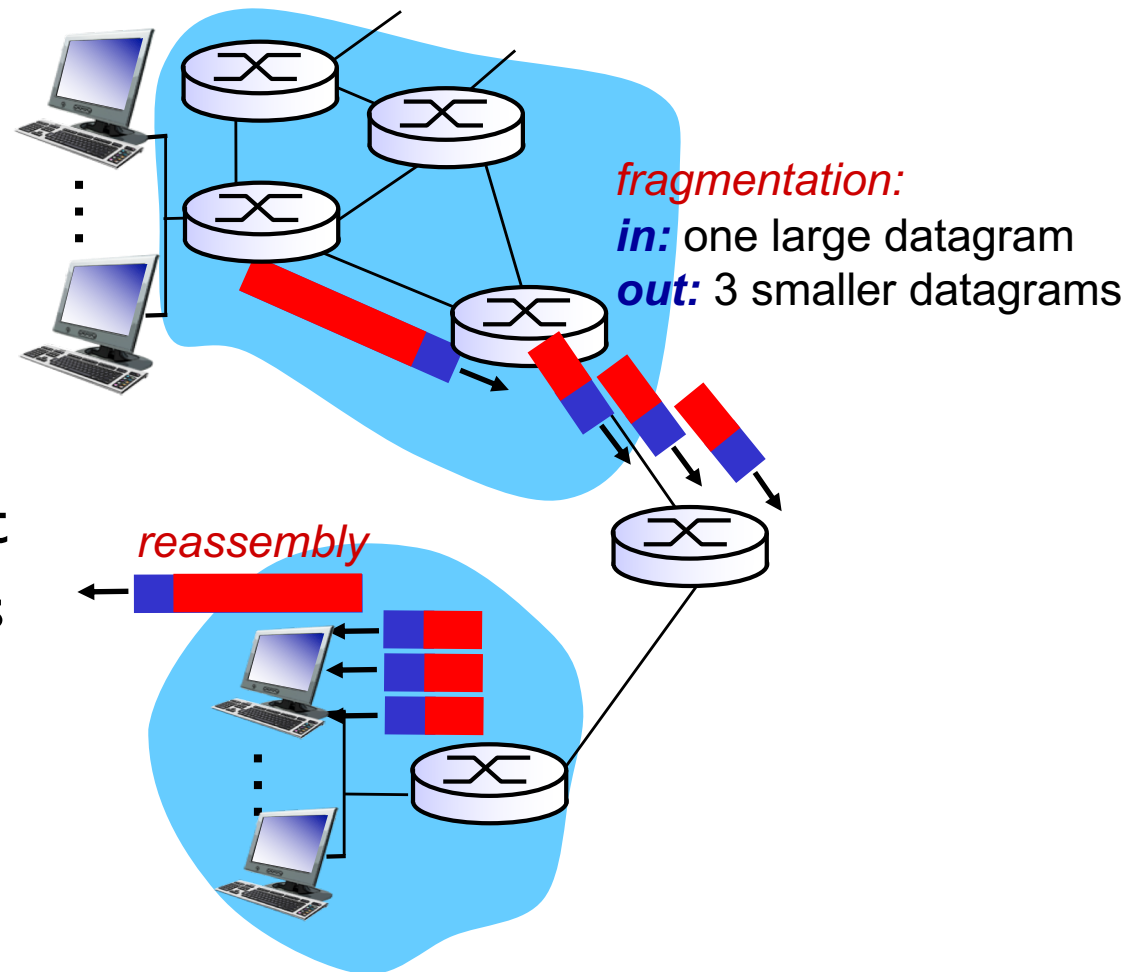
total datagram length (bytes)

for fragmentation/reassembly

e.g. timestamp, record route taken, specify list of routers to visit.

IP fragmentation, reassembly

- network links have MTU (max.transfer size) - largest possible link-level frame
 - different link types, different MTUs
- large IP datagram divided (“fragmented”) within net
 - one datagram becomes several datagrams
 - “reassembled” only at final destination
 - IP header bits used to identify, order related fragments



IP fragmentation, reassembly

example:

- ❖ 4000 byte datagram
- ❖ MTU = 1500 bytes

	length	ID	fragflag	offset	
	=4000	=x	=0	=0	

one large datagram becomes several smaller datagrams

1480 bytes in
data field

	length	ID	fragflag	offset	
	=1500	=x	=1	=0	

offset =
1480/8

	length	ID	fragflag	offset	
	=1500	=x	=1	=185	

	length	ID	fragflag	offset	
	=1040	=x	=0	=370	

Chapter 4: outline

4.1 Overview of Network layer

- data plane
- control plane

4.2 What's inside a router

4.3 IP: Internet Protocol

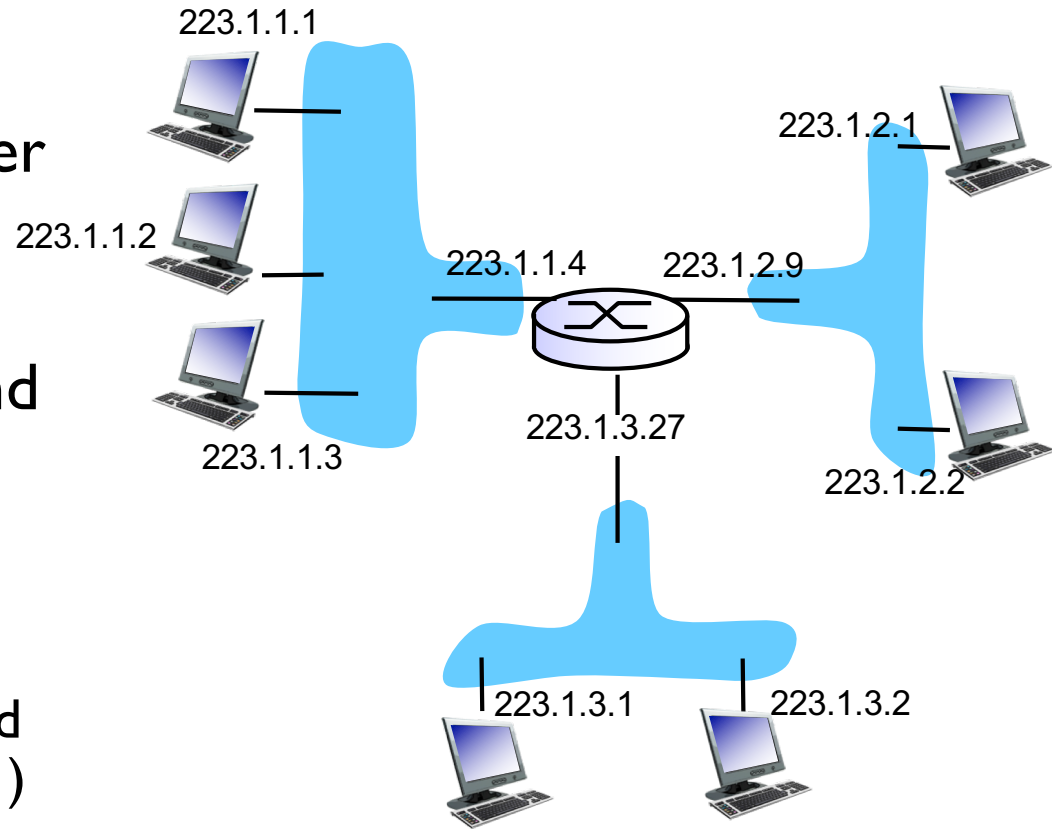
- datagram format
- fragmentation
- IPv4 addressing
- network address translation
- IPv6

4.4 Generalized Forward and SDN

- match
- action
- OpenFlow examples of match-plus-action in action

IP addressing: introduction

- **IP address:** 32-bit identifier for host, router interface
- **interface:** connection between host/router and physical link
 - router's typically have multiple interfaces
 - host typically has one or two interfaces (e.g., wired Ethernet, wireless 802.11)
- **IP addresses associated with each interface**



$$223.1.1.1 = \underbrace{11011111}_{223} \underbrace{00000001}_{1} \underbrace{00000001}_{1} \underbrace{00000001}_{1}$$

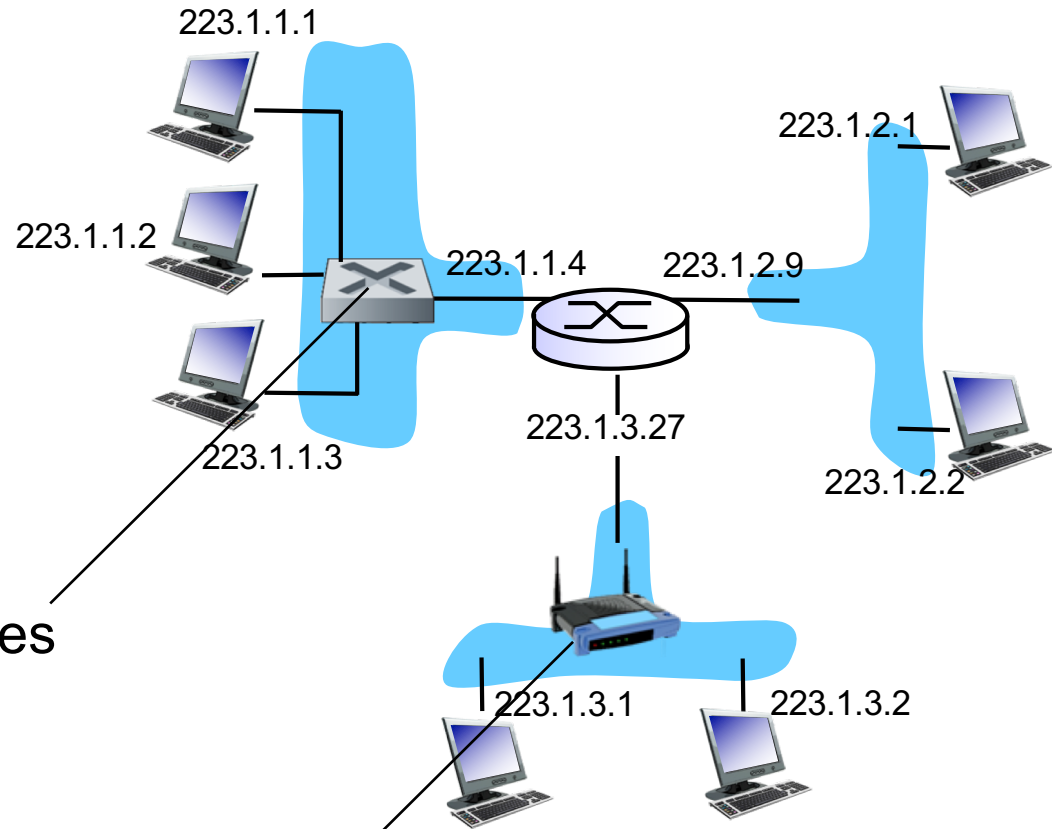
IP addressing: introduction

Q: *how are interfaces actually connected?*

A: *we'll learn about that in chapter 6, 7*

A: wired Ethernet interfaces connected by Ethernet switches

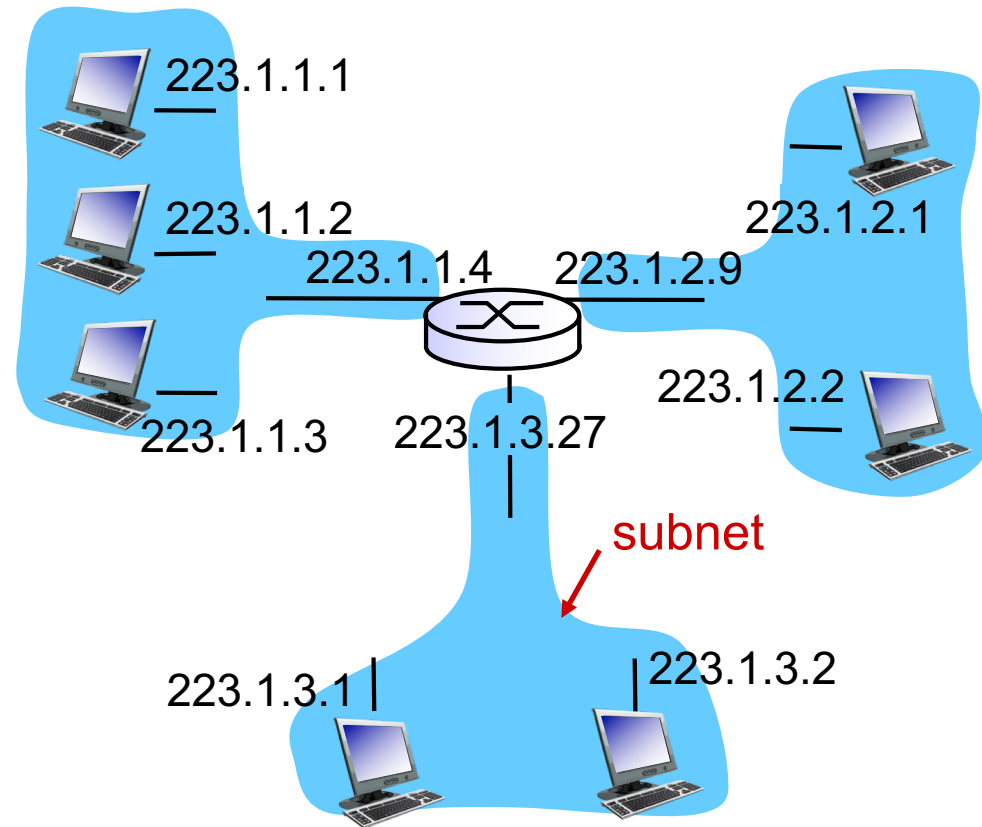
For now: don't need to worry about how one interface is connected to another (with no intervening router)



A: wireless WiFi interfaces connected by WiFi base station

Subnets

- IP address:
 - subnet part - high order bits
 - host part - low order bits
- *what 's a subnet ?*
 - can physically reach each other *without intervening router*
 - interfaces on the same subnet having the same subnet address

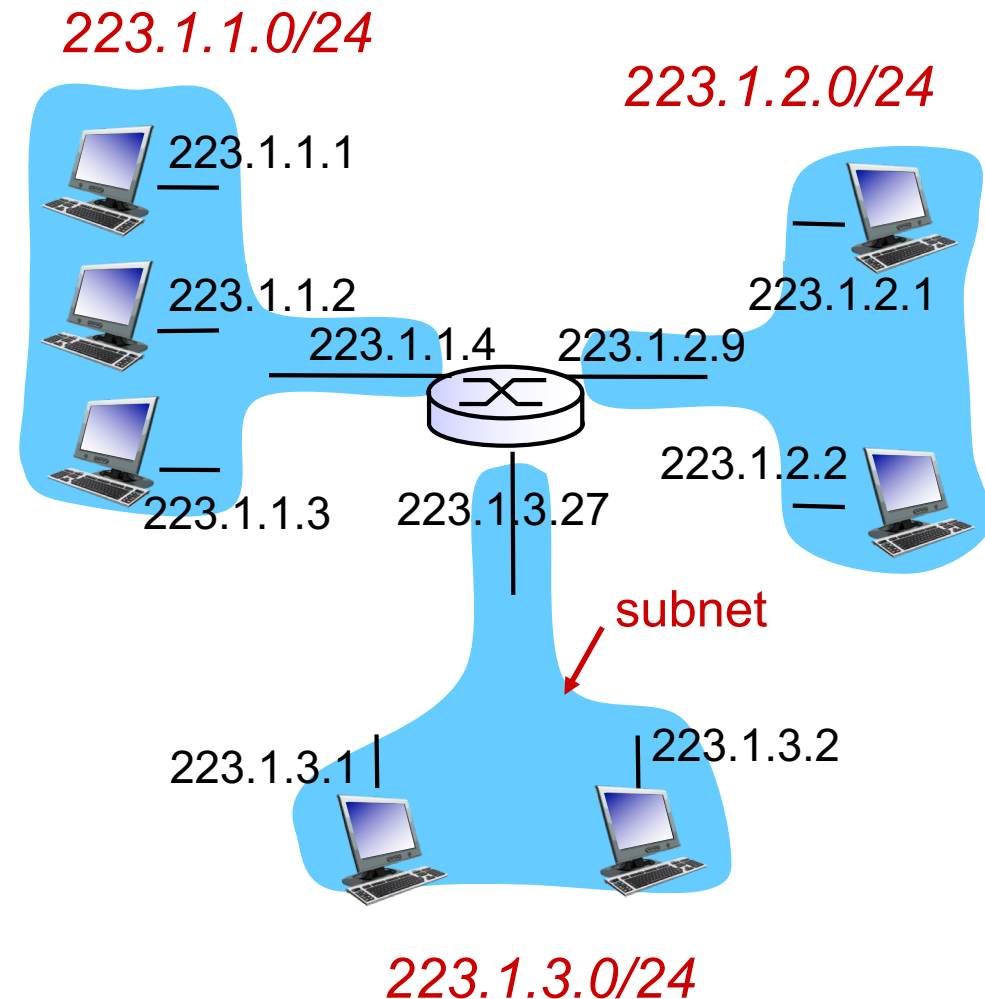


network consisting of 3 subnets

Subnets

recipe

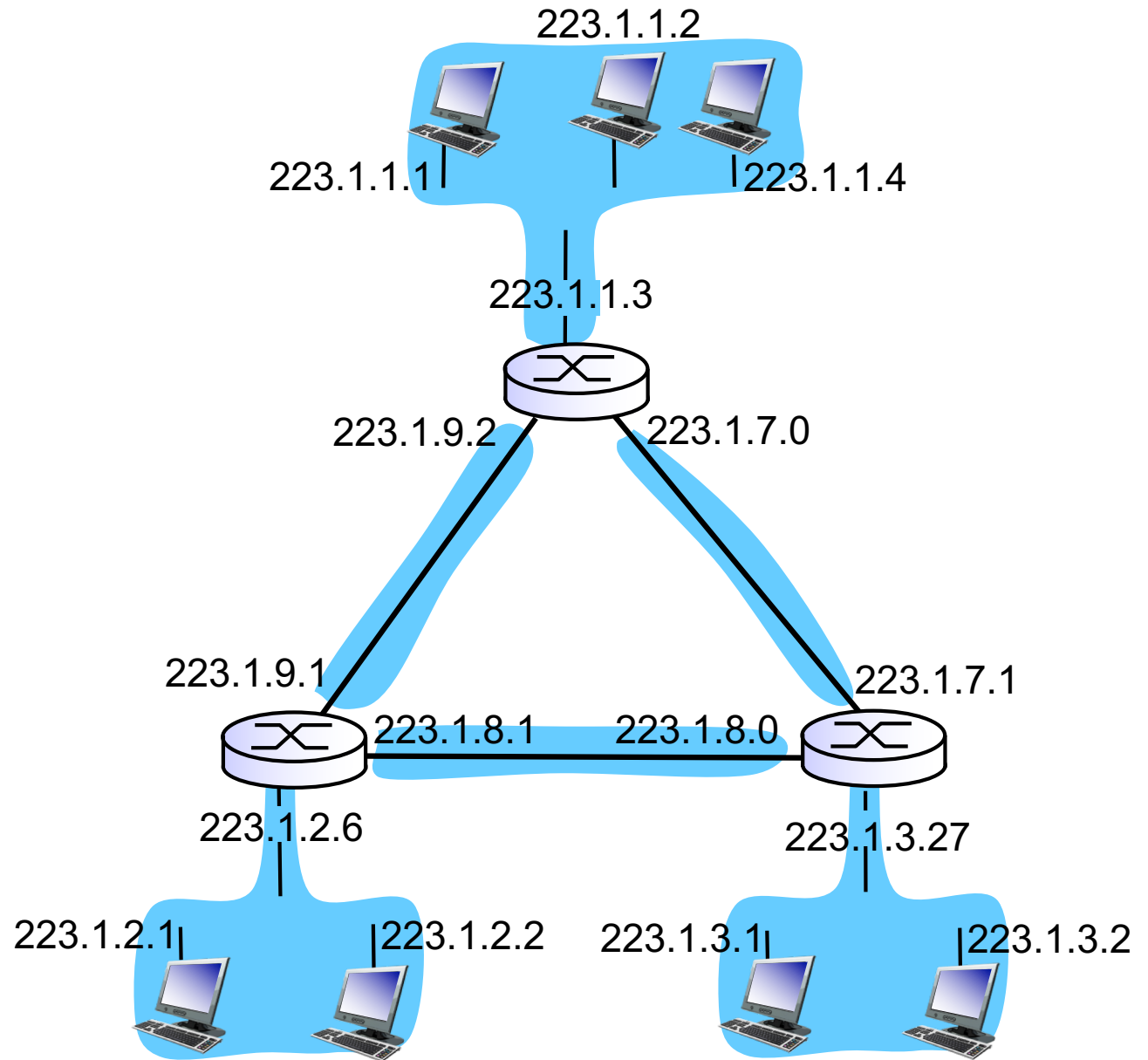
- to determine the subnets, detach each interface from its host or router, creating islands of isolated networks
- each isolated network is called a *subnet*



subnet mask: /24

Subnets

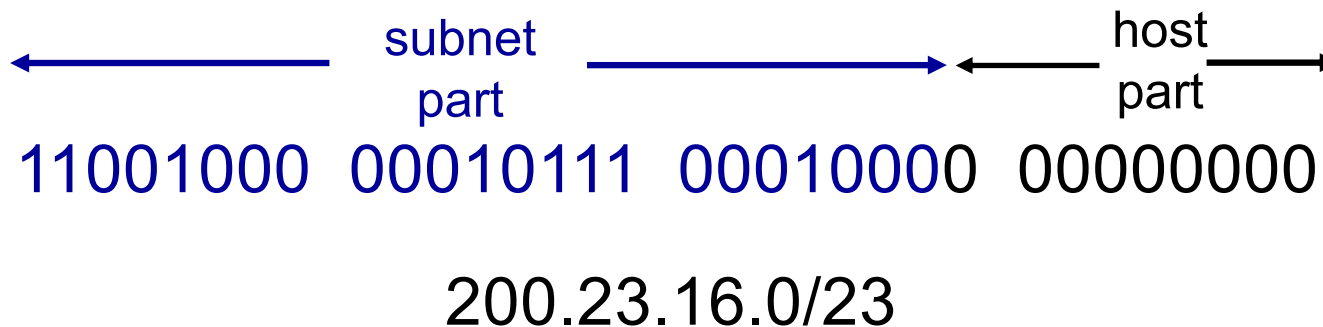
how many?



IP addressing: CIDR

CIDR: Classless InterDomain Routing

- subnet portion of address of arbitrary length
- address format: **a.b.c.d/x**, where x is # bits in subnet portion of address



Quiz Time!

IP addresses: how to get one?

Q: How does a *host* get IP address?

- hard-coded by system admin in a file
 - Windows: control-panel->network->configuration->tcp/ip->properties
 - UNIX: /etc/rc.config
- **DHCP: Dynamic Host Configuration Protocol:** dynamically get address from a server
 - “plug-and-play”

DHCP: Dynamic Host Configuration Protocol

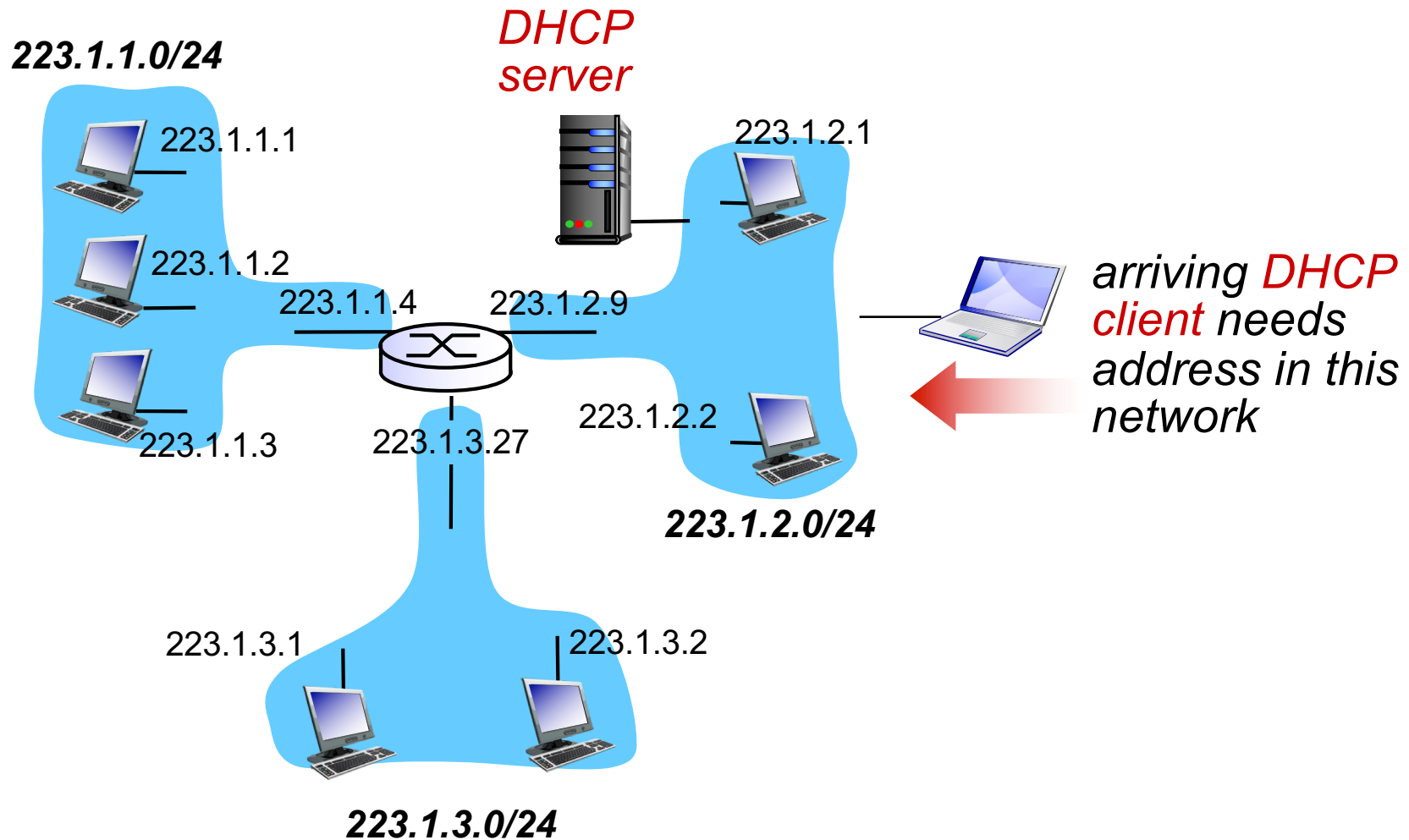
goal: allow host to *dynamically* obtain its IP address from network server when it joins network

- can renew its lease on address in use
- allows reuse of addresses (only hold address while connected/“on”)
- support for mobile users who want to join network (more shortly)

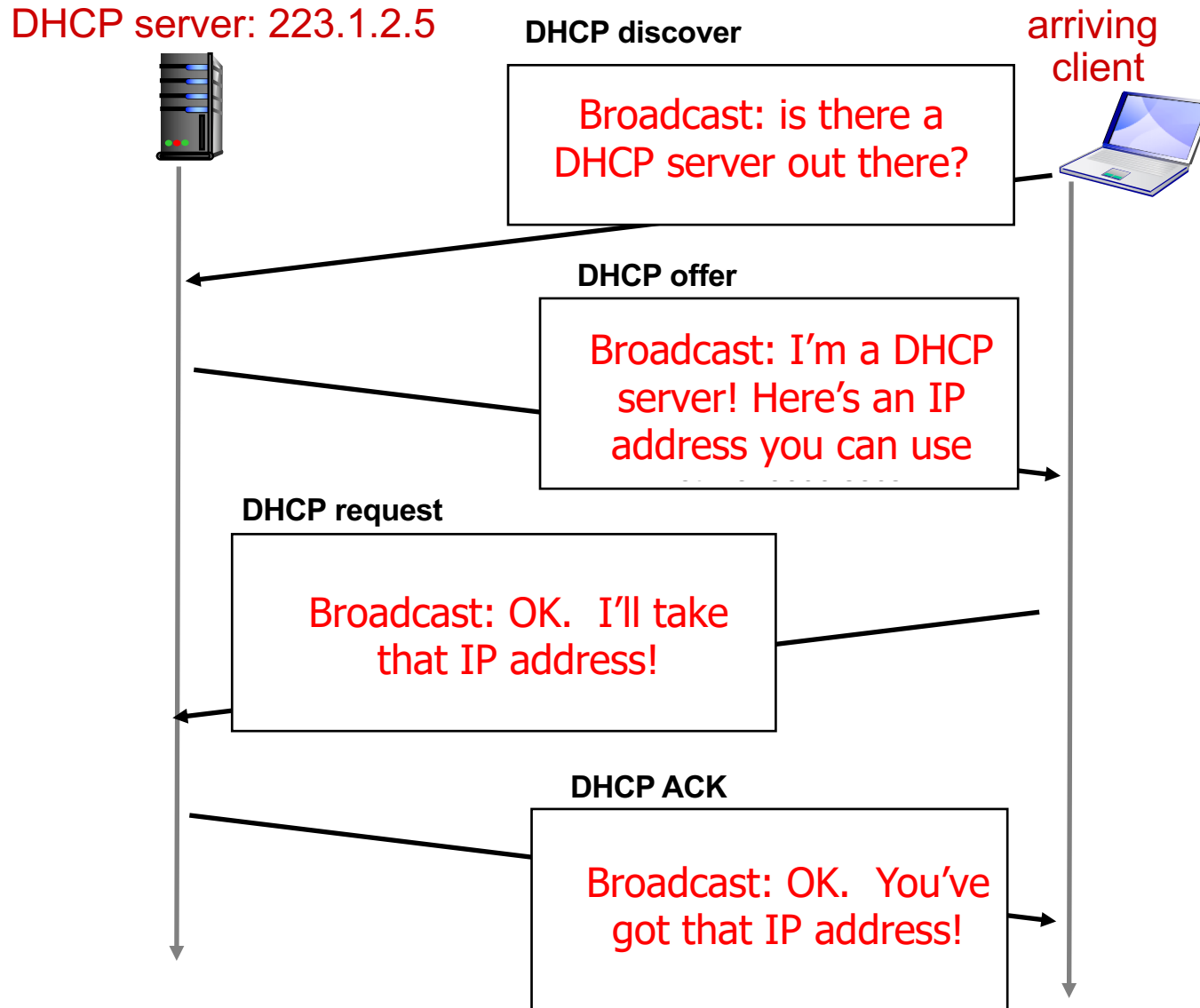
DHCP overview:

- host broadcasts “**DHCP discover**” msg [optional]
- DHCP server responds with “**DHCP offer**” msg [optional]
- host requests IP address: “**DHCP request**” msg
- DHCP server sends address: “**DHCP ack**” msg

DHCP client-server scenario



DHCP client-server scenario

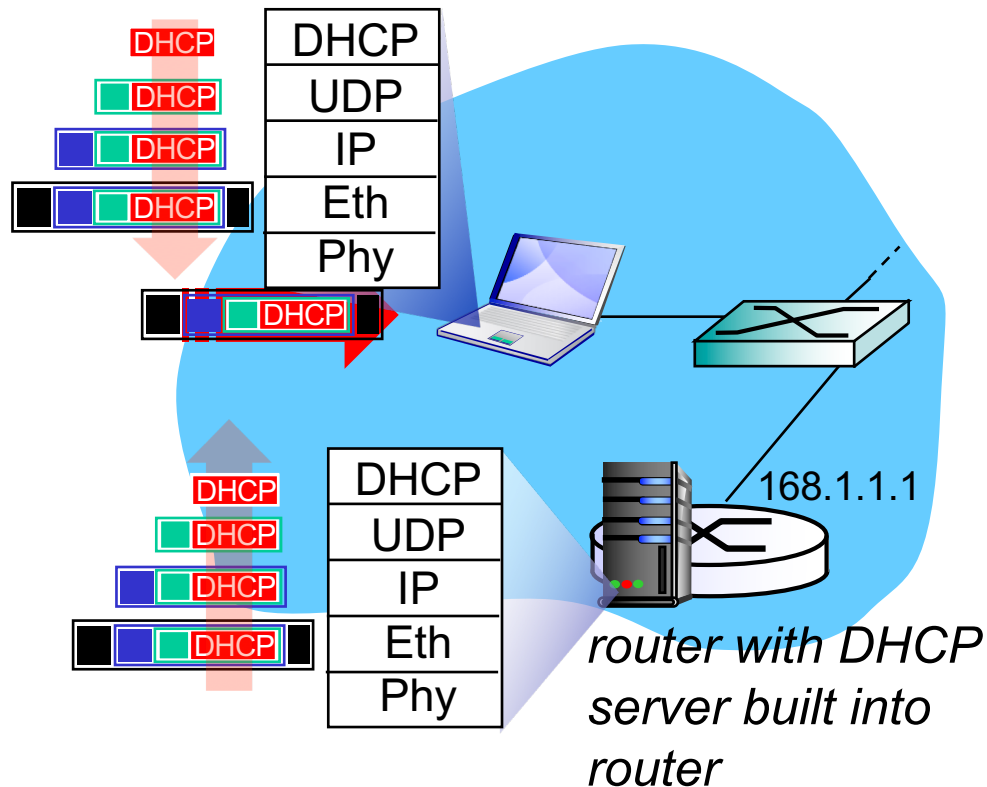


DHCP: more than IP addresses

DHCP can return more than just allocated IP address on subnet:

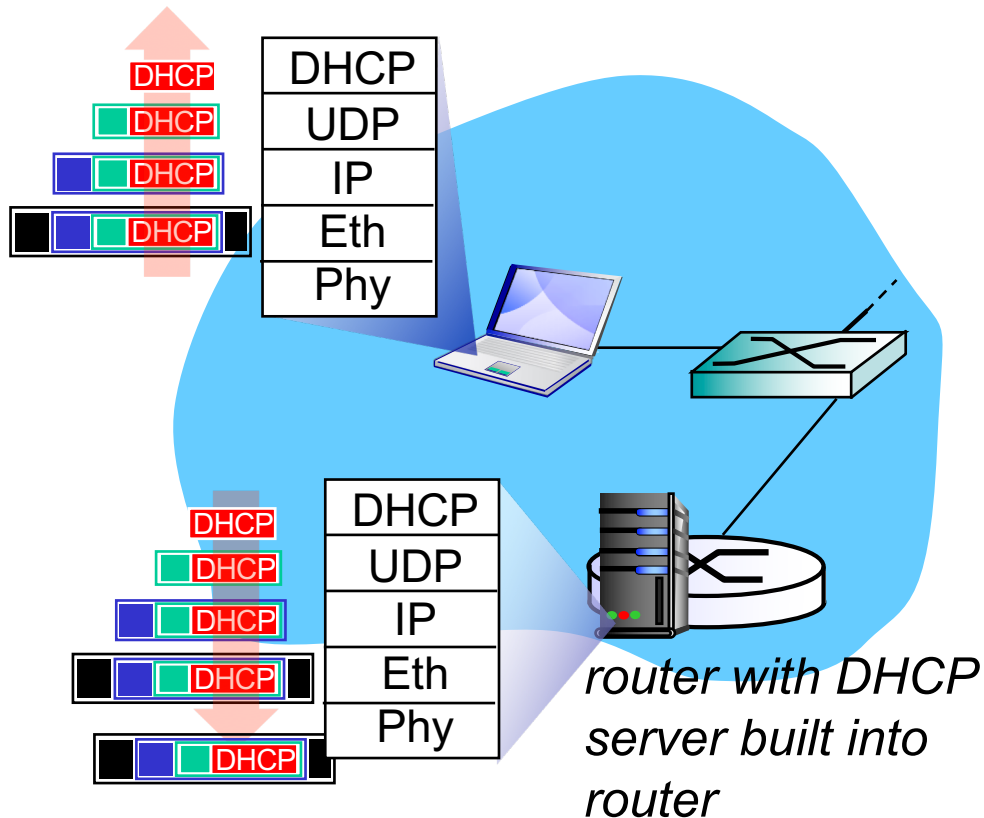
- address of first-hop router for client
- name and IP address of DNS sever
- network mask (indicating subnet versus host portion of address)

DHCP: example



- connecting laptop needs its IP address, addr of first-hop router, addr of DNS server: use DHCP
- DHCP request encapsulated in UDP, encapsulated in IP, encapsulated in 802.3 Ethernet
- Ethernet frame broadcast (dest: FFFFFFFF) on LAN, received at router running DHCP server
- Ethernet demuxed to IP demuxed to UDP demuxed to DHCP

DHCP: example



- DHCP server formulates DHCP ACK containing client's IP address, IP address of first-hop router for client, name & IP address of DNS server
- encapsulation of DHCP server, frame forwarded to client, demuxing up to DHCP at client
- client now knows its IP address, name and IP address of DSN server, IP address of its first-hop router

DHCP: Wireshark output (home LAN)

Message type: **Boot Request (1)**
Hardware type: Ethernet
Hardware address length: 6
Hops: 0
Transaction ID: 0x6b3a11b7
Seconds elapsed: 0
Bootp flags: 0x0000 (Unicast)
Client IP address: 0.0.0.0 (0.0.0.0)
Your (client) IP address: 0.0.0.0 (0.0.0.0)
Next server IP address: 0.0.0.0 (0.0.0.0)
Relay agent IP address: 0.0.0.0 (0.0.0.0)
Client MAC address: Wistron_23:68:8a (00:16:d3:23:68:8a)
Server host name not given
Boot file name not given
Magic cookie: (OK)
Option: (t=53,l=1) **DHCP Message Type = DHCP Request**
Option: (61) Client identifier
 Length: 7; Value: 010016D323688A;
 Hardware type: Ethernet
 Client MAC address: Wistron_23:68:8a (00:16:d3:23:68:8a)
Option: (t=50,l=4) Requested IP Address = 192.168.1.101
Option: (t=12,l=5) Host Name = "nomad"
Option: (55) Parameter Request List
 Length: 11; Value: 010F03062C2E2F1F21F92B
 1 = Subnet Mask; 15 = Domain Name
 3 = Router; 6 = Domain Name Server
 44 = NetBIOS over TCP/IP Name Server

request

Message type: **Boot Reply (2)**
Hardware type: Ethernet
Hardware address length: 6
Hops: 0
Transaction ID: 0x6b3a11b7
Seconds elapsed: 0
Bootp flags: 0x0000 (Unicast)
Client IP address: 192.168.1.101 (192.168.1.101)
Your (client) IP address: 0.0.0.0 (0.0.0.0)
Next server IP address: 192.168.1.1 (192.168.1.1)
Relay agent IP address: 0.0.0.0 (0.0.0.0)
Client MAC address: Wistron_23:68:8a (00:16:d3:23:68:8a)
Server host name not given
Boot file name not given
Magic cookie: (OK)
Option: (t=53,l=1) DHCP Message Type = DHCP ACK
Option: (t=54,l=4) Server Identifier = 192.168.1.1
Option: (t=1,l=4) Subnet Mask = 255.255.255.0
Option: (t=3,l=4) Router = 192.168.1.1
Option: (6) Domain Name Server
 Length: 12; Value: 445747E2445749F244574092;
 IP Address: 68.87.71.226;
 IP Address: 68.87.73.242;
 IP Address: 68.87.64.146
Option: (t=15,l=20) Domain Name = "hsd1.ma.comcast.net."

reply

Quiz Time!

IP addresses: how to get one?

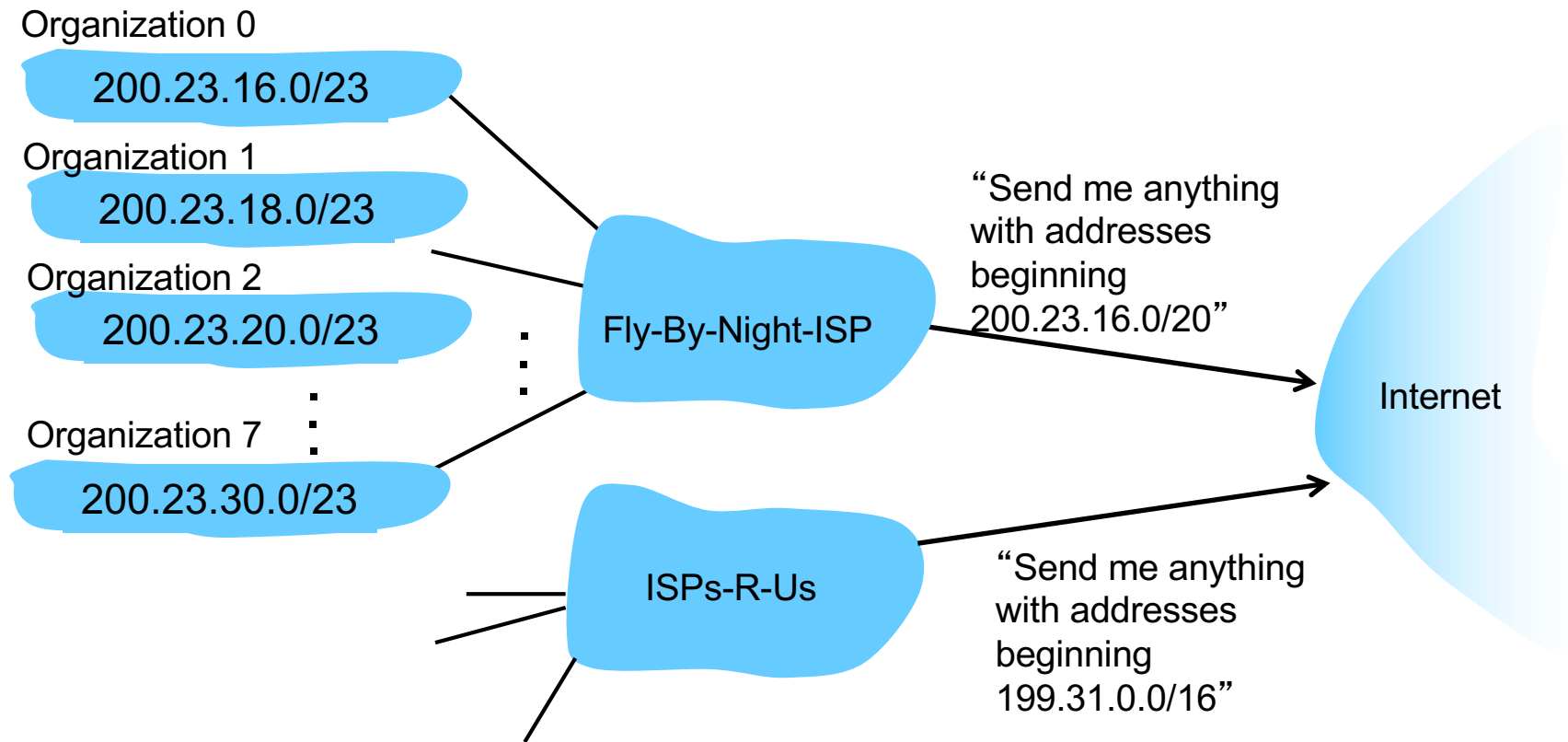
Q: how does *a subnet* get subnet part of IP addr?

A: gets allocated portion of its provider ISP' s address space

ISP's block	<u>11001000</u>	<u>00010111</u>	<u>00010000</u>	00000000	200.23.16.0/20
Organization 0	<u>11001000</u>	<u>00010111</u>	<u>00010000</u>	00000000	200.23.16.0/23
Organization 1	<u>11001000</u>	<u>00010111</u>	<u>00010010</u>	00000000	200.23.18.0/23
Organization 2	<u>11001000</u>	<u>00010111</u>	<u>00010100</u>	00000000	200.23.20.0/23
...	
Organization 7	<u>11001000</u>	<u>00010111</u>	<u>00011110</u>	00000000	200.23.30.0/23

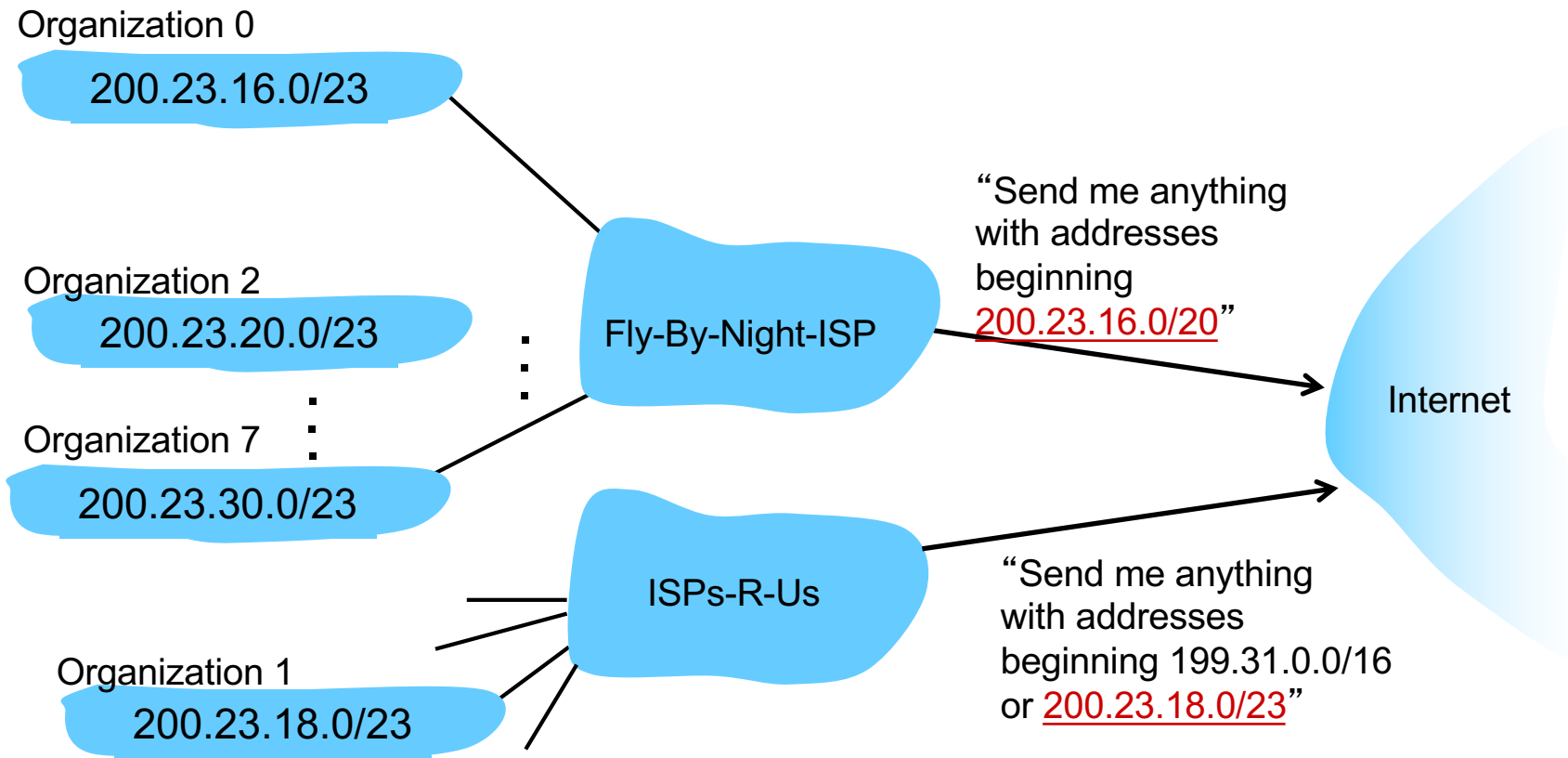
Hierarchical addressing: route aggregation

hierarchical addressing allows efficient advertisement of routing information:



Hierarchical addressing: more specific routes

ISPs-R-U's has a more specific route to Organization 1



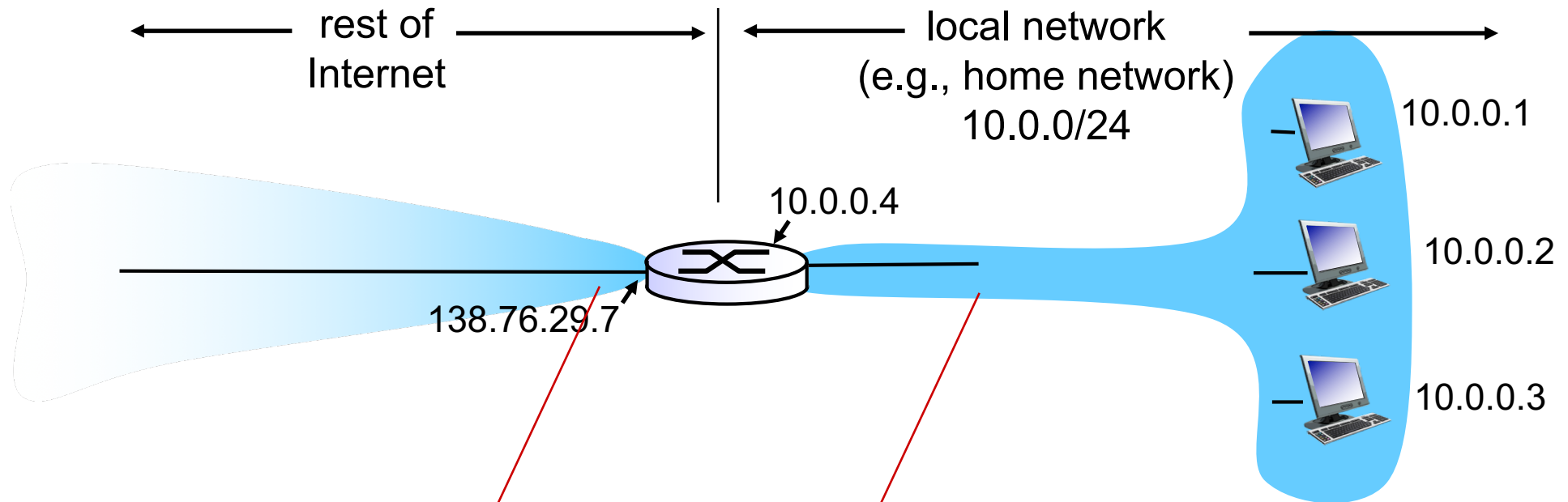
IP addressing: the last word...

Q: how does an ISP get block of addresses?

A: ICANN: Internet Corporation for Assigned Names and Numbers <http://www.icann.org/>

- allocates addresses
- manages DNS
- assigns domain names, resolves disputes

NAT: network address translation



all datagrams *leaving* local network have *same* single source NAT IP address: 138.76.29.7, different source port numbers

datagrams with source or destination in this network have 10.0.0/24 address for source, destination (as usual)

NAT: network address translation

motivation: local network uses just one IP address as far as outside world is concerned:

- range of addresses not needed from ISP: just one IP address for all devices
- can change addresses of devices in local network without notifying outside world
- can change ISP without changing addresses of devices in local network
- devices inside local net not explicitly addressable, visible by outside world (a security plus)

NAT: network address translation

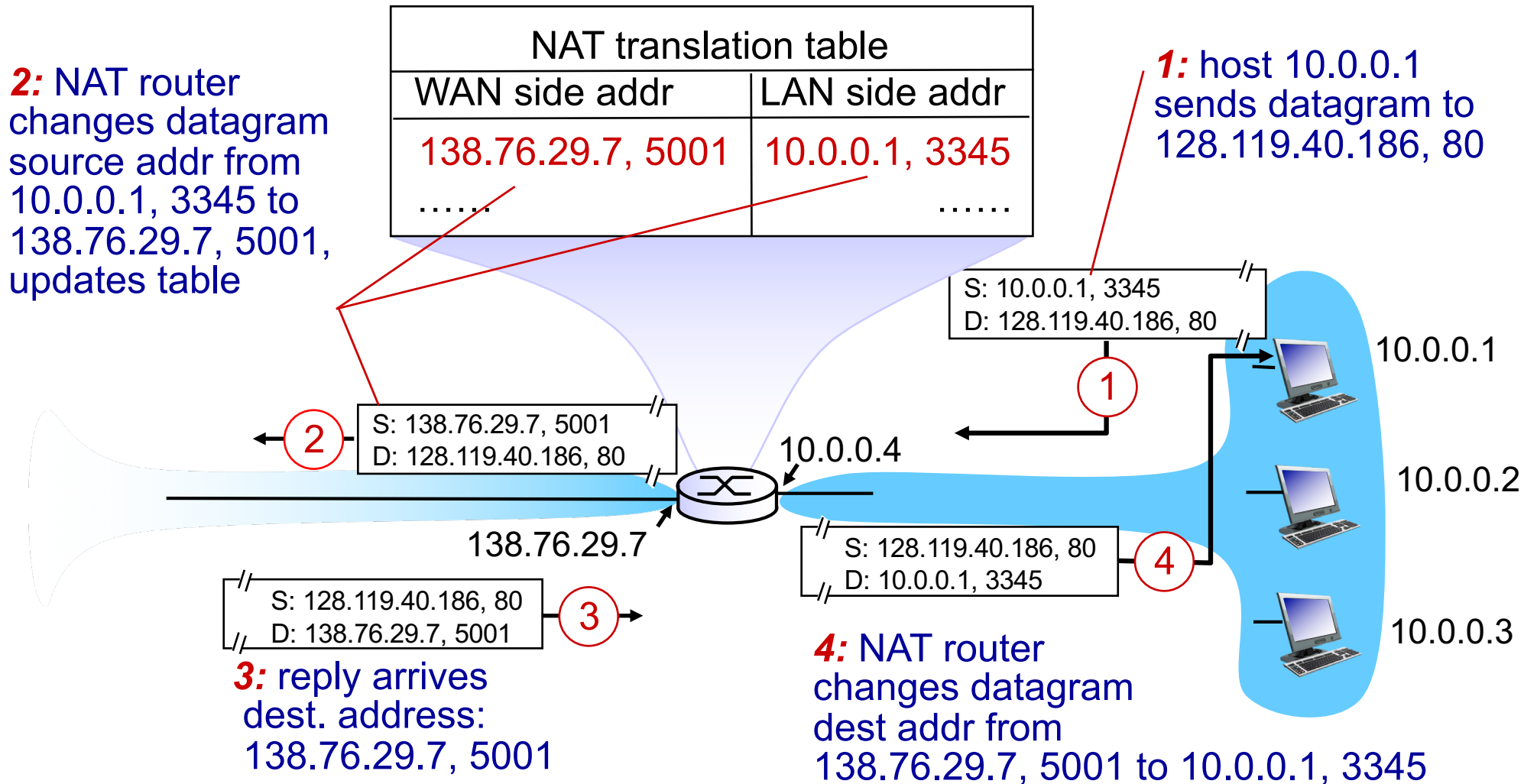
implementation: NAT router must:

- *outgoing datagrams: replace* (source IP address, port #) of every outgoing datagram to (NAT IP address, new port #)
- *remember (in NAT translation table)* every (source IP address, port #) to (NAT IP address, new port #) translation pair

... remote clients/servers will respond using (NAT IP address, new port #) as destination addr

- *incoming datagrams: replace* (NAT IP address, new port #) in dest fields of every incoming datagram with corresponding (source IP address, port #) stored in NAT table

NAT: network address translation



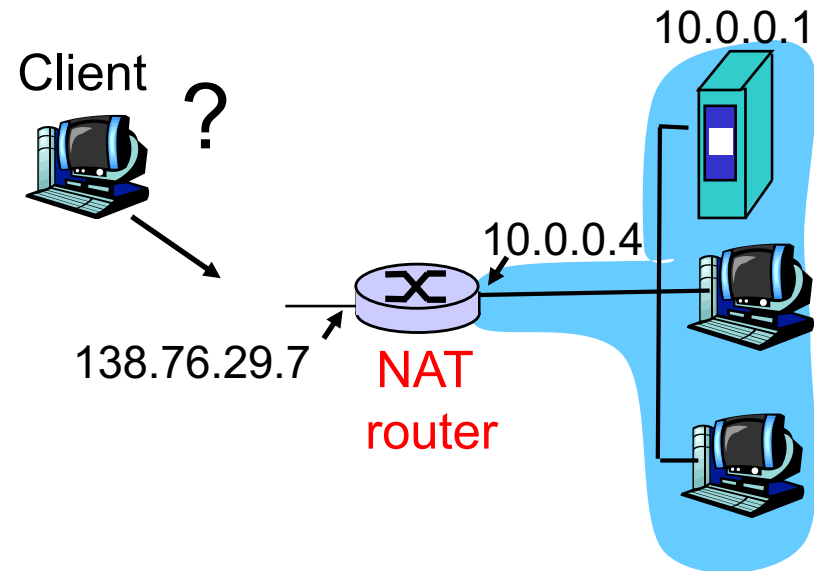
* Check out the online interactive exercises for more examples: http://gaia.cs.umass.edu/kurose_ross/interactive/

NAT: network address translation

- 16-bit port-number field:
 - 60,000 simultaneous connections with a single LAN-side address!
- NAT is controversial:
 - routers should only process up to layer 3
 - address shortage should be solved by IPv6
- NAT traversal:
 - NAT must be taken into account by app designers, e.g., P2P applications
 - violates end-to-end argument (modularization)

NAT traversal problem

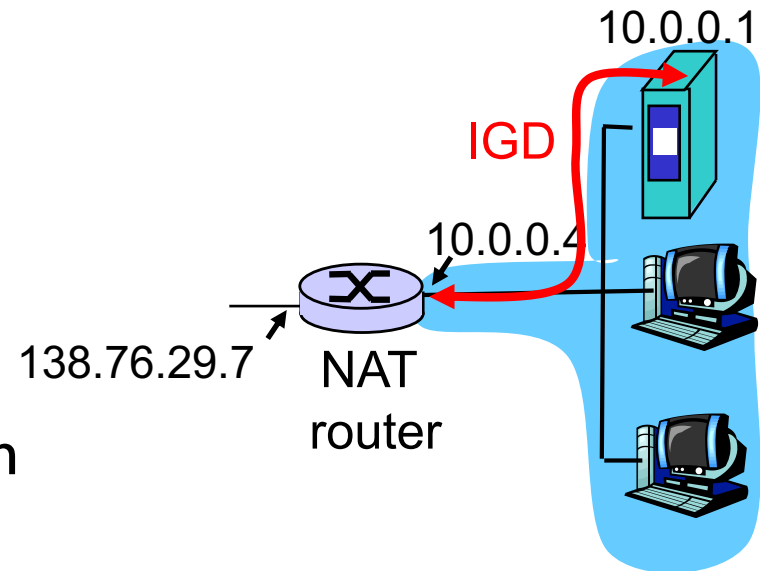
- client want to connect to server with address 10.0.0.1
 - server address 10.0.0.1 local to LAN (client can't use it as destination addr)
 - only one externally visible NATted address: 138.76.29.7
- solution 1: manually configure NAT to forward incoming connection requests at given port to server
 - e.g., (138.76.29.7, port 2500) always forwarded to 10.0.0.1 port 25000



NAT traversal problem

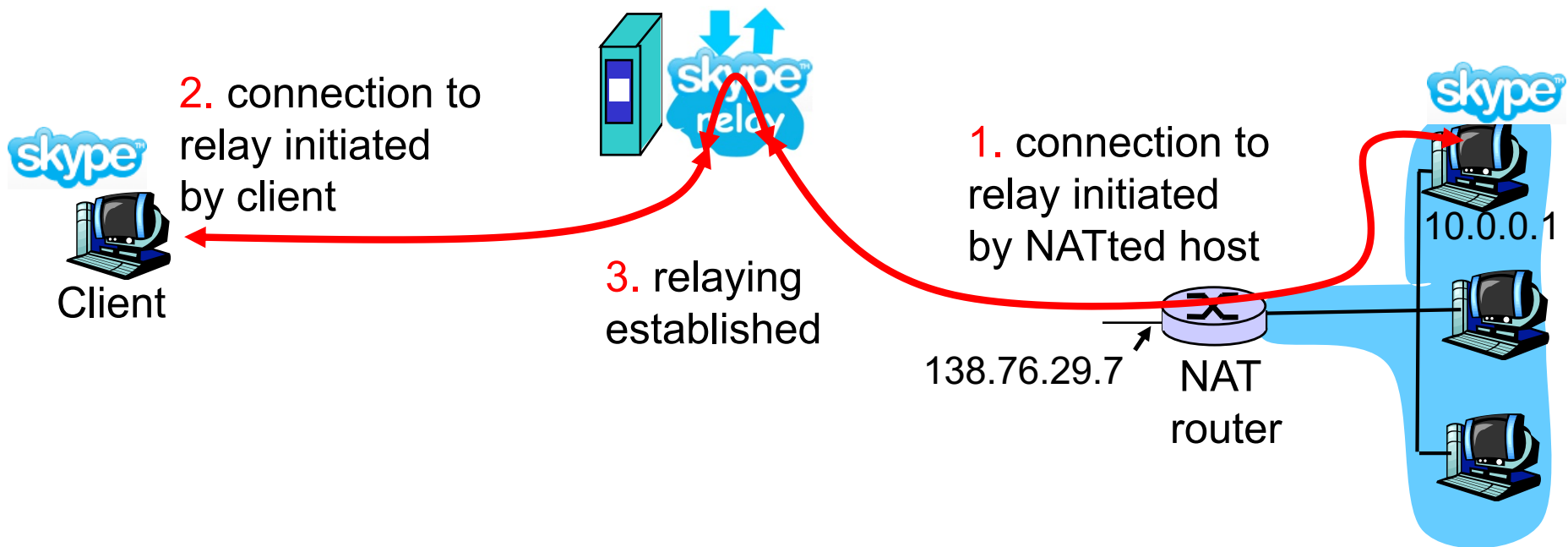
- solution 2: Universal Plug and Play (UPnP) Internet Gateway Device (IGD) Protocol. Allows NATted host to:
 - ❖ learn public IP address (138.76.29.7)
 - ❖ enumerate existing port mappings
 - ❖ add/remove port mappings (with lease times)

i.e., **automatic** NAT port map configuration



NAT traversal problem

- solution 3: relaying (used in Skype)
 - NATed server establishes connection to relay
 - External client connects to relay
 - relay bridges packets between to connections



Chapter 4: outline

4.1 Overview of Network layer

- data plane
- control plane

4.2 What's inside a router

4.3 IP: Internet Protocol

- datagram format
- fragmentation
- IPv4 addressing
- network address translation
- IPv6

4.4 Generalized Forward and SDN

- match
- action
- OpenFlow examples of match-plus-action in action

IPv6: motivation

- *initial motivation*: 32-bit address space soon to be completely allocated.
- additional motivation:
 - header format helps speed processing/forwarding
 - header changes to facilitate QoS

IPv6 datagram format:

- fixed-length 40 byte header
- no fragmentation allowed

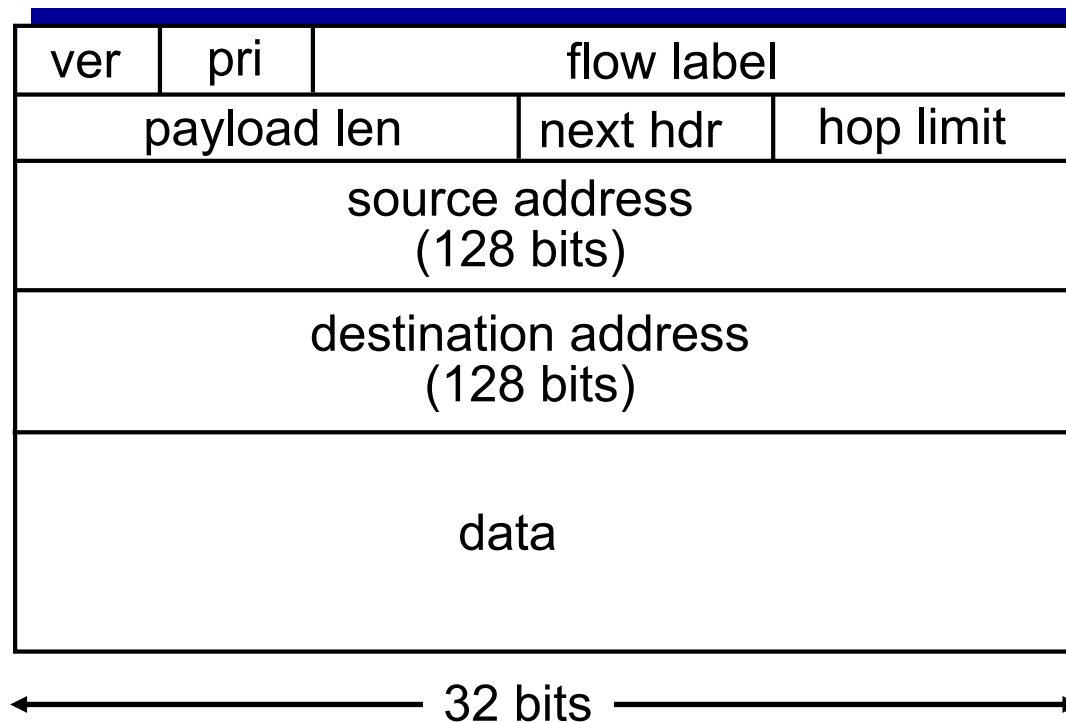
IPv6 datagram format

priority: identify priority among datagrams in flow

flow Label: identify datagrams in same “flow.”

(concept of “flow” not well defined).

next header: identify upper layer protocol for data

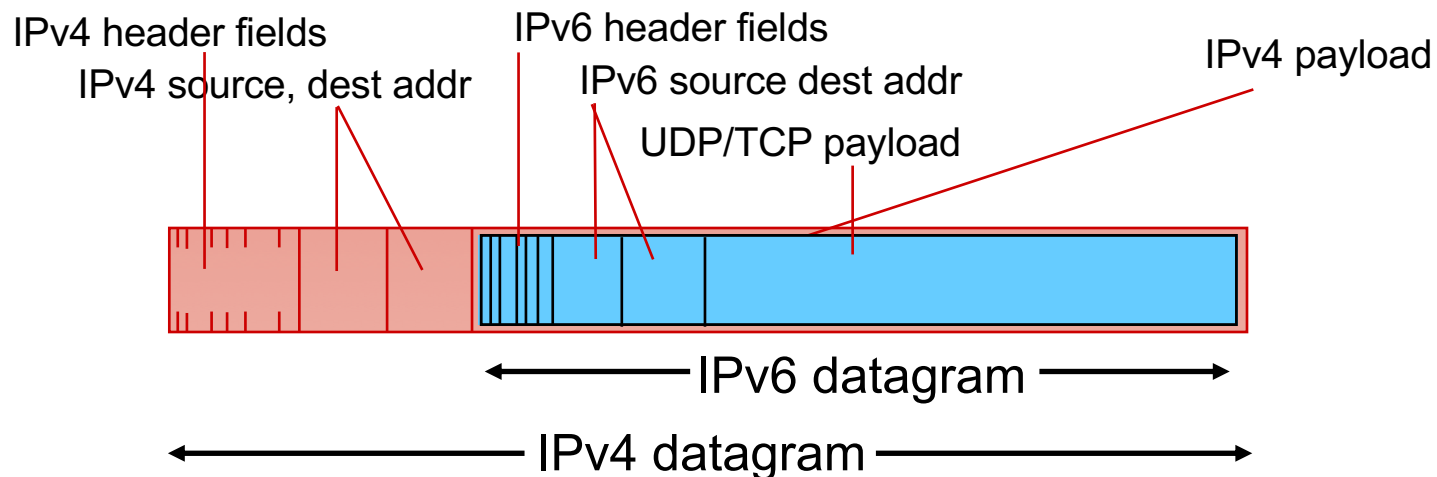


Other changes from IPv4

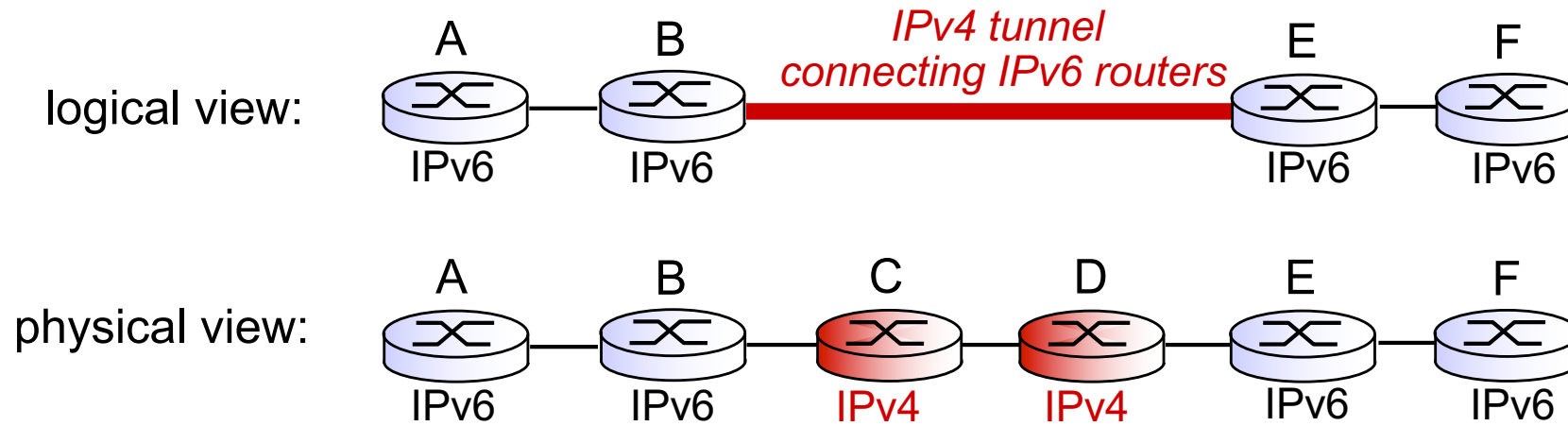
- *checksum*: removed entirely to reduce processing time at each hop
- *options*: allowed, but outside of header, indicated by “Next Header” field
- *ICMPv6*: new version of ICMP
 - additional message types, e.g. “Packet Too Big”
 - multicast group management functions

Transition from IPv4 to IPv6

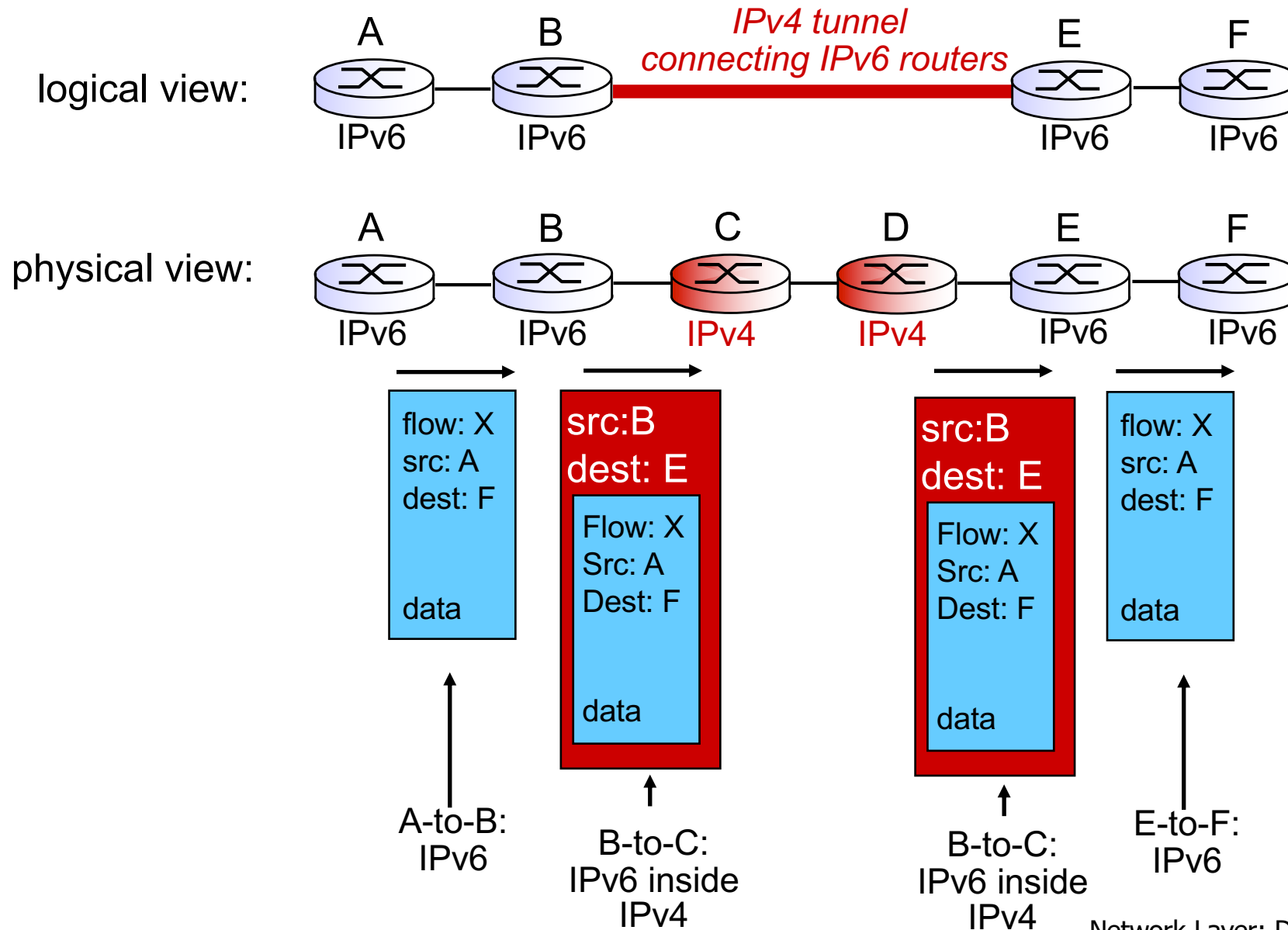
- not all routers can be upgraded simultaneously
 - no “flag days”
 - how will network operate with mixed IPv4 and IPv6 routers?
- **tunneling**: IPv6 datagram carried as *payload* in IPv4 datagram among IPv4 routers



Tunneling



Tunneling



IPv6: adoption

- Google: 8% of clients access services via IPv6
- NIST: 1/3 of all US government domains are IPv6 capable
- *Long (long!) time for deployment*
 - 20 years and counting!
 - Think of application-level changes in last 20 years: WWW, Facebook, streaming media, Skype, ...
 - *Why?*

Chapter 4: outline

4.1 Overview of Network layer

- data plane
- control plane

4.2 What's inside a router

4.3 IP: Internet Protocol

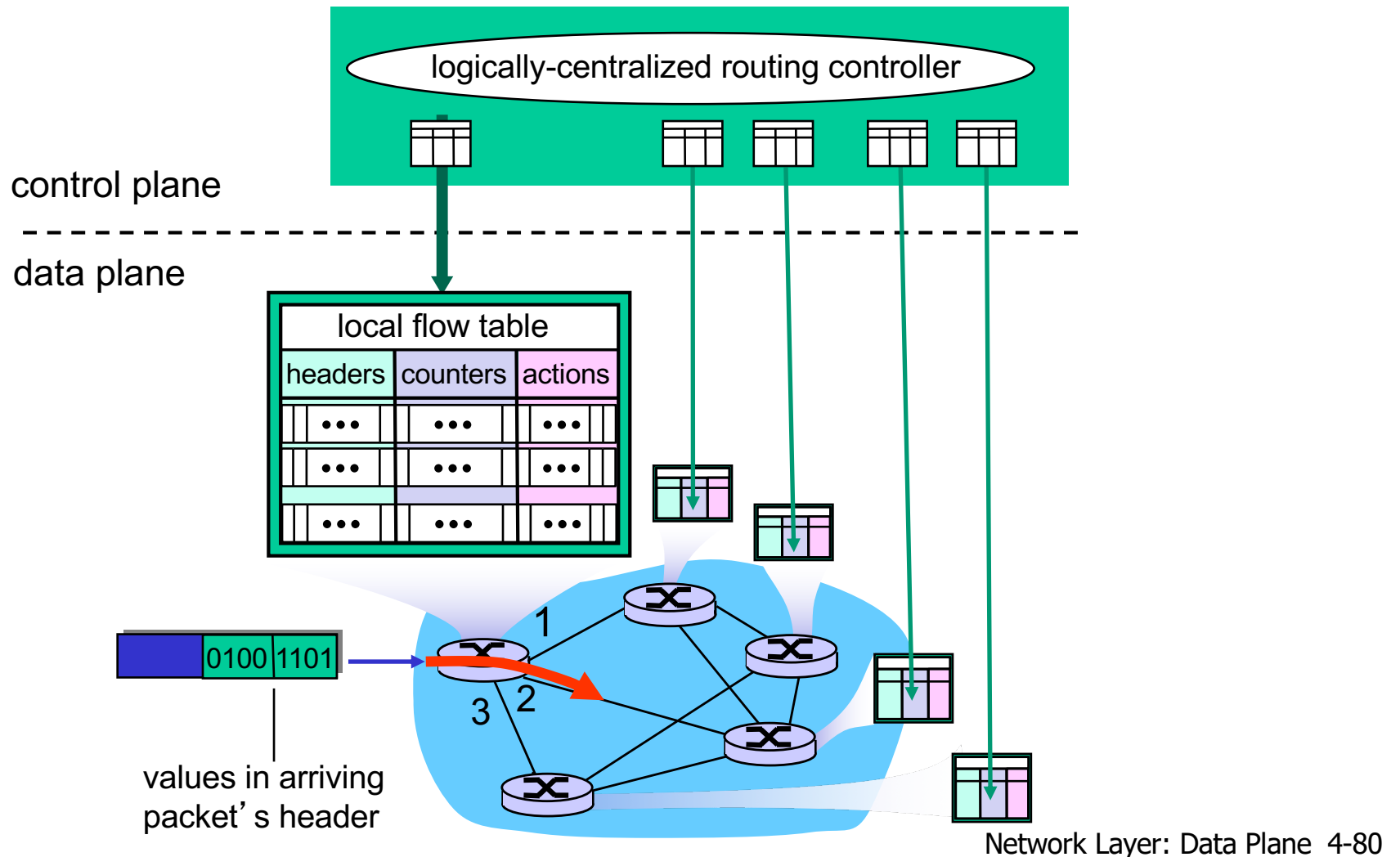
- datagram format
- fragmentation
- IPv4 addressing
- network address translation
- IPv6

4.4 Generalized Forward and SDN

- match
- action
- OpenFlow examples of match-plus-action in action

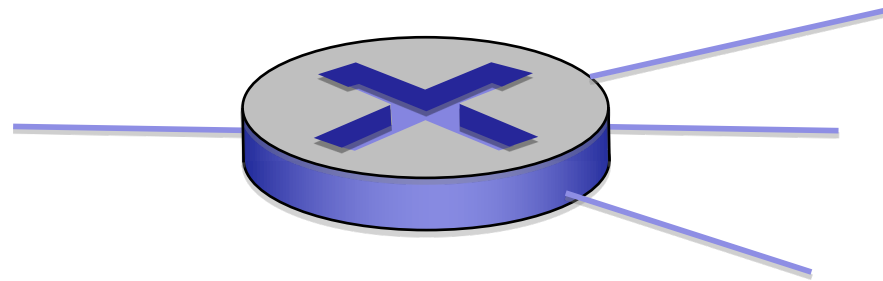
Generalized Forwarding and SDN

Each router contains a *flow table* that is computed and distributed by a *logically centralized routing controller*



OpenFlow data plane abstraction

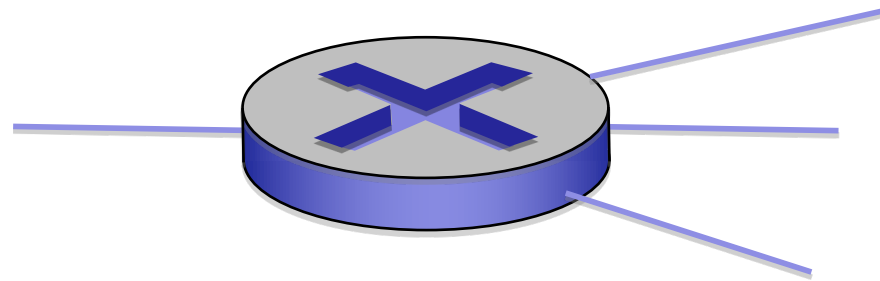
- *flow*: defined by header fields
- generalized forwarding: simple packet-handling rules
 - *Pattern*: match values in packet header fields
 - *Actions for matched packet*: drop, forward, modify, or send to controller
 - *Priority*: disambiguate overlapping patterns
 - *Counters*: #bytes and #packets



Flow table in a router (computed and distributed by controller) define router's match+action rules

OpenFlow data plane abstraction

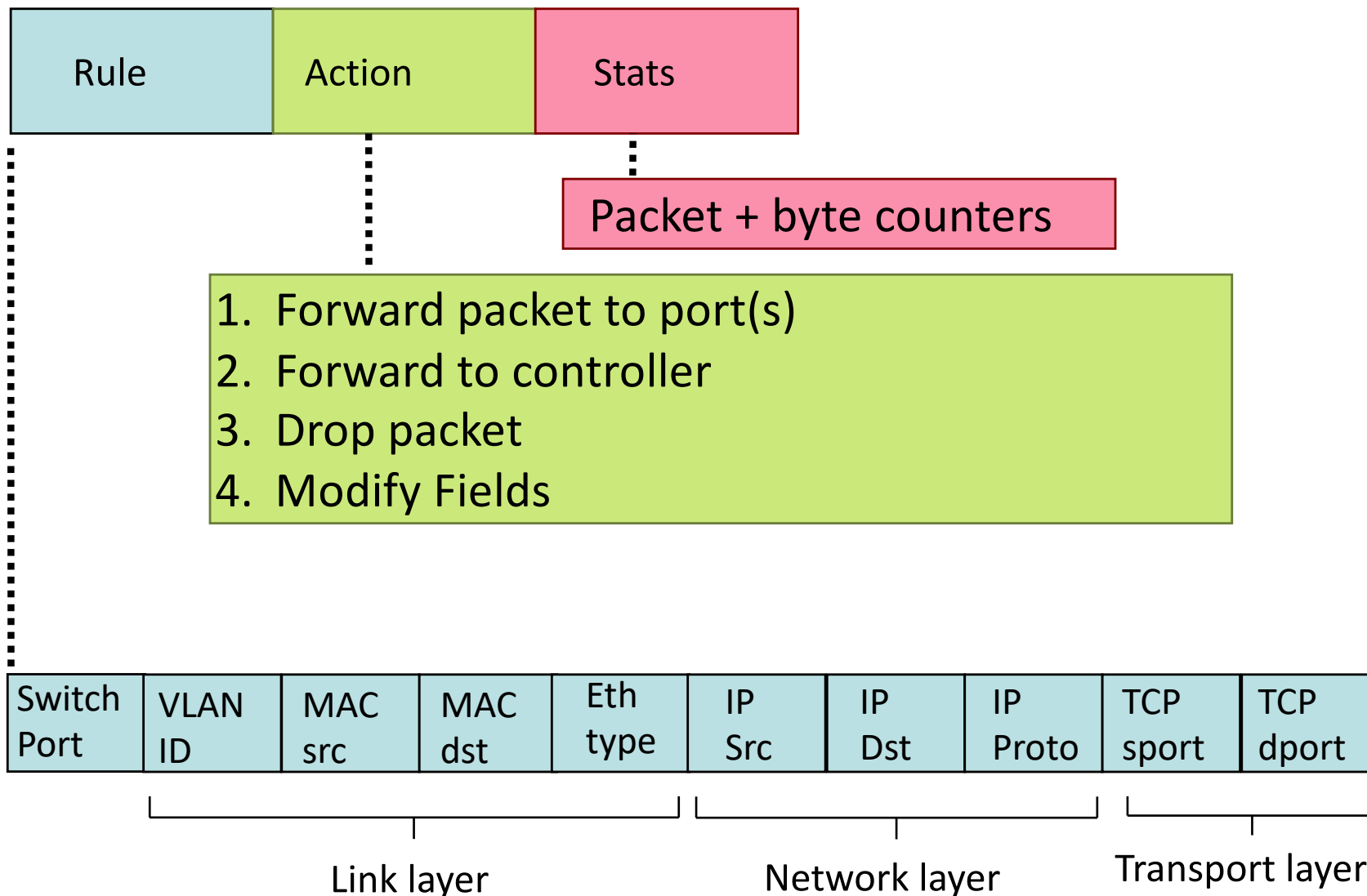
- *flow*: defined by header fields
- generalized forwarding: simple packet-handling rules
 - *Pattern*: match values in packet header fields
 - *Actions for matched packet*: drop, forward, modify, or send to controller
 - *Counters*: #bytes and #packets



* : wildcard

1. src=1.2.*.* , dest=3.4.5.* → drop
2. src = *.*.*.* , dest=3.4.*.* → forward(2)
3. src=10.1.2.3, dest=*.*.*.* → send to controller

OpenFlow: Flow Table Entries



Examples

Destination-based forwarding:

Switch Port	MAC src	MAC dst	Eth type	VLAN ID	IP Src	IP Dst	IP Prot	TCP sport	TCP dport	Action
*	*	*	*	*	*	51.6.0.8	*	*	*	port6

IP datagrams destined to IP address 51.6.0.8 should be forwarded to router output port 6

Firewall:

Switch Port	MAC src	MAC dst	Eth type	VLAN ID	IP Src	IP Dst	IP Prot	TCP sport	TCP dport	Action
*	*	*	*	*	*	*	*	*	22	drop

do not forward (block) all datagrams destined to TCP port 22

Switch Port	MAC src	MAC dst	Eth type	VLAN ID	IP Src	IP Dst	IP Prot	TCP sport	TCP dport	Action
*	*	*	*	*	128.119.1.1	*	*	*	*	drop

do not forward (block) all datagrams sent by host 128.119.1.1

Examples

Destination-based layer 2 (switch) forwarding:

Switch Port	MAC src	MAC dst	Eth type	VLAN ID	IP Src	IP Dst	IP Prot	TCP sport	TCP dport	Action
*	*	22:A7:23: 11:E1:02	*	*	*	*	*	*	*	port3

layer 2 frames from MAC address 22:A7:23:11:E1:02 should be forwarded to output port 3

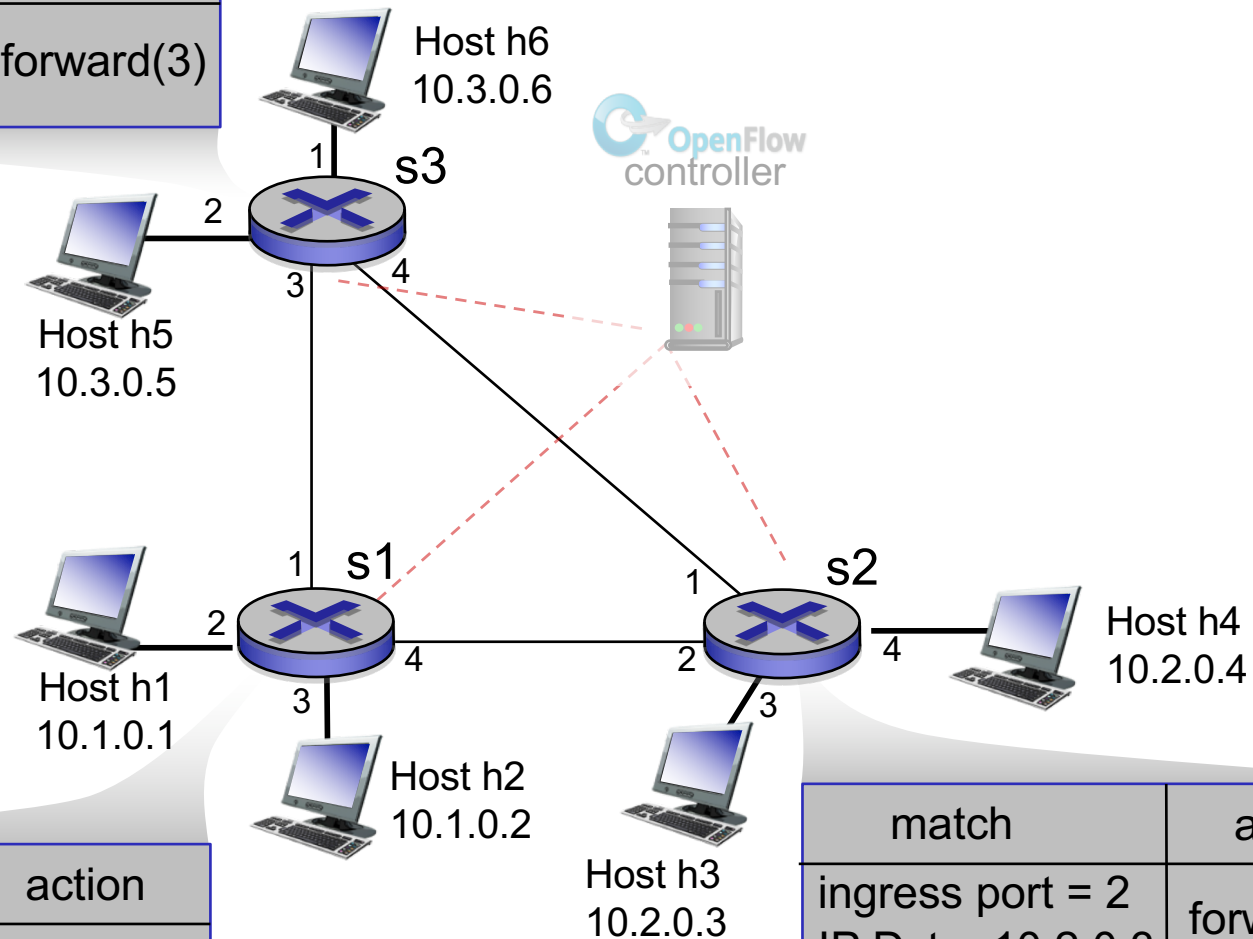
OpenFlow abstraction

- *match+action*: unifies different kinds of devices
- Router
 - *match*: longest destination IP prefix
 - *action*: forward out a link
- Switch
 - *match*: destination MAC address
 - *action*: forward or flood
- Firewall
 - *match*: IP addresses and TCP/UDP port numbers
 - *action*: permit or deny
- NAT
 - *match*: IP address and port
 - *action*: rewrite address and port

OpenFlow example

Example: datagrams from hosts h5 and h6 should be sent to h3 or h4, via s1 and from there to s2

match	action
IP Src = 10.3.*.* IP Dst = 10.2.*.*	forward(3)



match	action
ingress port = 1 IP Src = 10.3.*.* IP Dst = 10.2.*.*	forward(4)

match	action
ingress port = 2 IP Dst = 10.2.0.3	forward(3)
ingress port = 2 IP Dst = 10.2.0.4	forward(4)

Chapter 4: done!

4.1 Overview of Network layer: data plane and control plane

4.2 What's inside a router

4.3 IP: Internet Protocol

- datagram format
- fragmentation
- IPv4 addressing
- NAT
- IPv6

4.4 Generalized Forward and SDN

- match plus action
- OpenFlow example

Question: how are forwarding tables (destination-based forwarding) or flow tables (generalized forwarding) computed?

Answer: by the control plane (next chapter)