

Lab 3: Coded Transmission (Warm-up)

NTU Communication Laboratory

Outline

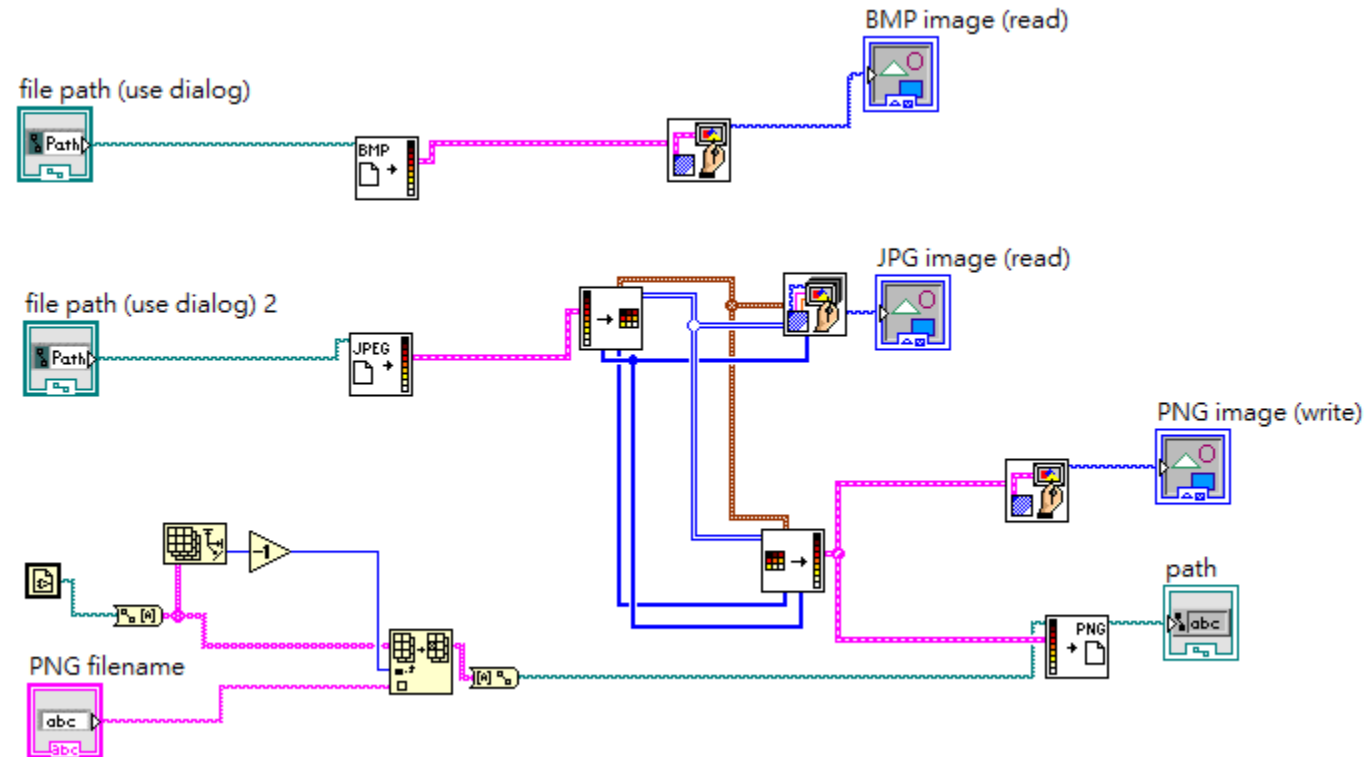
- 實驗目的
- How to read image data
- How to generate transition of convolution code
- Exercise

實驗目的

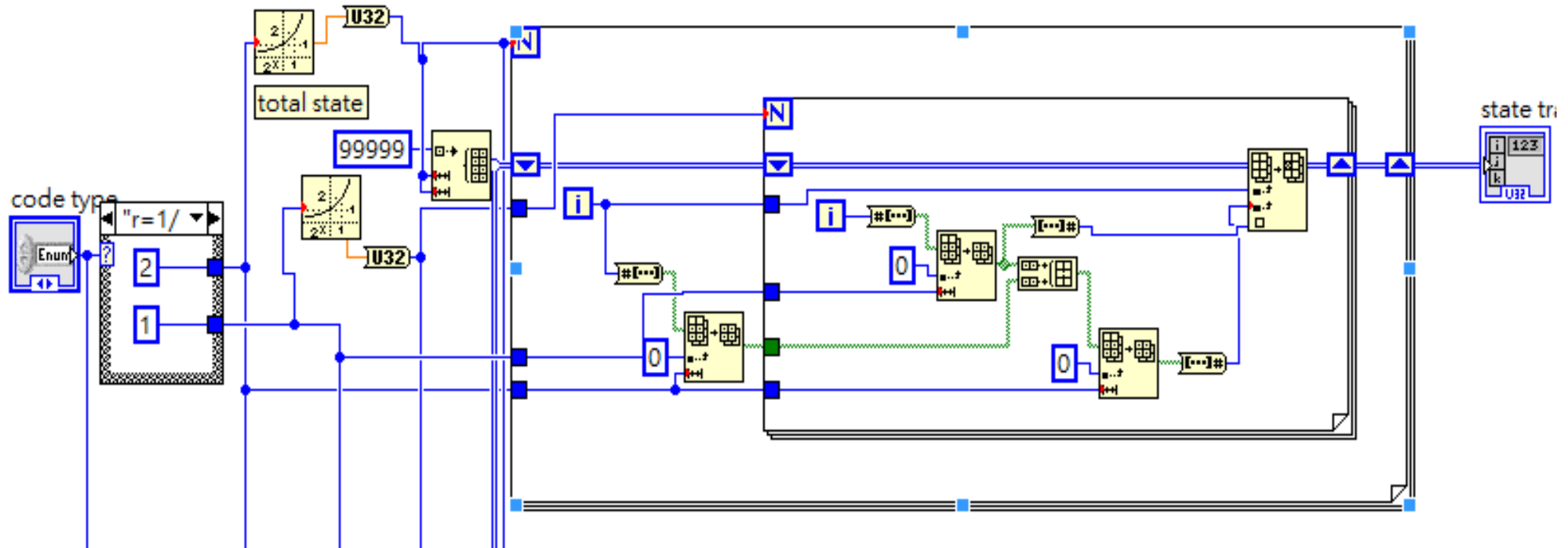
- 學習如何讀取各種格式之圖片檔
- 學習如何產生[5,7] convolution code 的transition diagram

How to read image data

□ Graphics & Sound VIs



How to generate transition of convolution code



Exercise

- 使用image_example.vi 讀取不同附檔名之圖片
- 完成state_diagram.vi，並顯示其state diagram